

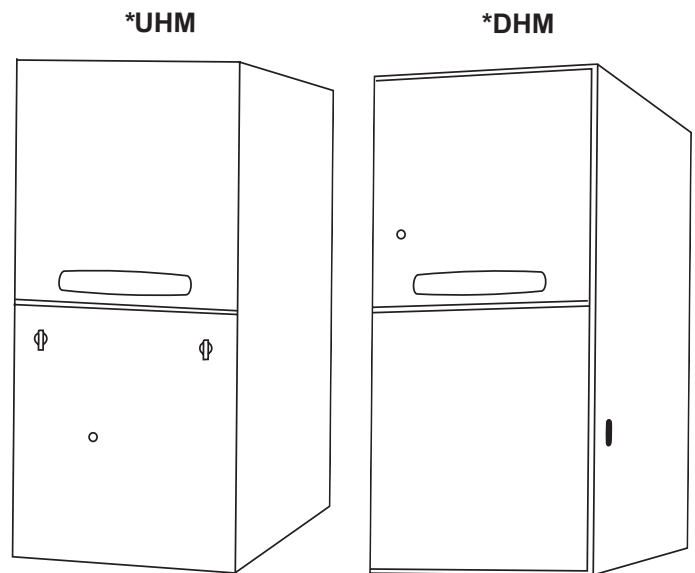


Product Data

Communicating Upflow/Horizontal Left Downflow/ Horizontal Right Direct/Non-Direct Vent Variable Speed, Modulating Condensing Gas Furnace XC 95m

TUHMB060ACV3VB	TDHMB060BCV3VB
TUHMB080ACV3VB	TDHMB080ACV3VB
TUHMC100ACV4VB	TDHMC100ACV4VB
TUHMD120ACV5VB	TDHMD120BCV5VB

Direct or Non-Direct Vent with
Variable Speed Blower
Variable Speed Inducer



Note: "Graphics in this document are for representation only.
Actual model may differ in appearance."



General Features

MODULATING OPERATION

The modulating gas valves provides longer heating cycles for more consistent heating comfort. Modulates from 40% (45% for the TUHMD120) to 100% in less than 1% increments of the furnace's heating capacity saving energy, while at the same time maximizing homeowner comfort.

COMMUNICATING MODE

Furnace is shipped ready to be connected in communicating mode using three wire hook-up using the TZONE950 or the TCONT900 comfort control.

ALTERNATE 24V MODE

Furnace is field configurable to 24V non-communicating mode.

MEETS ENERGY STAR REQUIREMENTS

COMFORT CONTROL

Comfortlink II™ Communicating furnace design, offers plug and play – walk away installation. Assures the entire heating and air conditioning system is set up in the proper modes to optimize the engineered performance of the matched system installed. The furnace can also be connected in conventional 24V mode.

NATURAL GAS MODELS

Central Heating furnace designs are certified by the American Gas Association for both natural and L.P. gas. Limit setting and rating data were established and approved under standard rating conditions using American National Standards Institute standards.

SAFE OPERATION

The Integrated System Control has solid state devices, which continuously monitor for presence of flame, when the system is in the heating mode of operation. Dual solenoid combination gas valve and regulator provide additional safety.

QUICK HEATING

Durable, cycle tested, heavy gauge **aluminumized steel heat exchanger** quickly transfers heat to provide warm conditioned air to the structure. **Low energy power vent blower**, to increase efficiency and provide a positive discharge of gas fumes to the outside.

BURNERS

Multiport Inshot burners will give years of quiet and efficient service. All models can be converted to **L.P. gas** without changing burners.

INTEGRATED SYSTEM CONTROL

Exclusively designed operational program provides total control of furnace limit sensors, blowers, gas valve, flame control and includes self diagnostics for ease of service. Also contains connection points for EAC and Humidifier hookup.

AIR DELIVERY

The variable speed blower motor has sufficient airflow for most heating and cooling requirements and will switch from heating to cooling speeds on demand from room thermostat. The blower door safety switch will prevent or terminate furnace operation when the blower door is removed.

SECONDARY HEAT EXCHANGER

The XC95m has a special type 29-4C™ stainless steel secondary heat exchanger to reclaim heat from flue gases which would normally be lost.

STYLING

Heavy gauge steel and “wrap-around” cabinet construction is used in the cabinet with baked-on enamel finish for strength and beauty. The heat exchanger section of the cabinet is completely lined with foil faced fiberglass insulation. This results in quiet and efficient operation due to the excellent acoustical and insulating qualities of fiberglass. Built-in bottom pan and alternate bottom, left or right side return air connection provision.

FEATURES AND GENERAL OPERATION

The XC95m High Efficiency Gas Furnaces utilize an Adaptive Heat Up Silicon Nitride Hot Surface Ignition system, which eliminates the waste of a constant burning pilot. The integrated system control lights the main burners upon a demand for heat from the room thermostat. Complete front service access.

- a. Low energy power venter
- b. Vent proving pressure switch.

Contents

General Features	2
Features and Benefits	4
Standard Equipment	4
Optional Equipment	5
General Data	6–7
TUHMB060ACV3VB	6
TUHMB080ACV3VB	6
TUHMC100ACV4VB	6
TUHMD120ACV5VB	6
TDHMB060BCV3VB	7
TDHMB080ACV3VB	7
TDHMC100ACV4VB	7
TDHMD120BCV5VB	7
Performance Data	8–19
Venting Tables	20
Electrical Data	21–24
Field Wiring	25–28
Dimensions	29–30



Features and Benefits

XC95m STANDARD EQUIPMENT

- **Comfortlink II™** Communication or 24 Volt control
- Factory default is communication mode
- Field configurable to 24 volt non-communicating mode
- Communication requires comfort control TZONE950 or TCONT900
- Plug and play installation in communication mode with communicating comfort control
- Three wire connections to comfort control when used with communicating comfort control (TZONE950 or TCONT900)
- Furnace modulates from 40% (45% for the TUHM1D120) to 100% of its heating capacity
- Upflow models convertible to Horizontal Left
- Downflow models convertible to Horizontal Right
- Power supply 115/1/60
- Modulating gas valve
- Variable speed ECM blower motor with Comfort R™
- Variable speed induced draft blower
- Silicon Nitride hot surface igniter with adaptive heat up
- PVC Venting - 1 or 2 pipe option
- Integrated solid state control with self-diagnostics
- Furnace certified to leak 2% or less of nominal air conditioning CFM delivered when pressurized to .5" water column with all inlets, outlets, and drains sealed
- Stored fault code history in microprocessor nonvolatile memory
- Insulated blower door
- Gasketed blower door
- Attractive color accents
- Heavy gauge aluminized steel heat exchanger
- Multi-port In-shot burners
- Complete front service access
- Slide out blower assembly
- Direct / Non-direct Vent Option
- Optional L.P conversion kit
- Improved **CleanEffects™** connections
- Left/right gas connection
- Accessory hook-up capability
- Manual reset flame roll out switches
- Cleanable high velocity filters
- Hinged blower door *
- Perfect fit door latches*
- **Optional extended warranties**

* (Upflow only)



Features and Benefits

XC95m OPTIONAL EQUIPMENT

Comfort Control XL950, Communicating.....	TZONE950AC52ZA []
Comfort Control XL900, Communicating.....	TCONT900AC43UA []
Comfort Control XL802 Programmable 7 Day, 3-Ht, 2-CI.....	TCONT802AS32DA []
Comfort Control XL803 Programmable 7 Day, 3-Ht, 2-CI with dehumidification.....	TCONT803AS32DA []
Propane Conversion Kit.....	BAYLPKT220B []
Propane Conversion Kit (with stainless steel burners).....	BAYLPSS220B []
5" Expandable High Efficiency Media Air Filter, "Perfect Fit" (17-1/2" Wide Gas Furnace)	TFM175A9FR0 []
5" Expandable High Efficiency Media Air Filter, "Perfect Fit" (21" Wide Gas Furnace).....	TFM210A9FR0 []
5" Expandable High Efficiency Media Air Filter, "Perfect Fit" (24-1/2" Wide Gas Furnace)	TFM245A9FR0 []
1" Expandable Standard Efficiency Media Air Filter, "Perfect Fit" (17-1/2" Wide Gas Furnace)	TFP175A9FR0 []
1" Expandable Standard Efficiency Media Air Filter, "Perfect Fit" (21" Wide Gas Furnace)	TFP210A9FR0 []
1" Expandable Standard Efficiency Media Air Filter, "Perfect Fit" (24-1/2" Wide Gas Furnace)	TFP245A9FR0 []
Coil Enclosure (17-1/2" Wide Cabinets)	BAYCLE17A1722A []
Coil Enclosure (21" Wide Cabinets)	BAYCLE21A2130A []
Coil Enclosure (24-1/2" Wide Cabinets)	BAYCLE24A2430A []
Downflow Subbase.....	BAYBASE205 []
Side Filter Rack	BAYFLTR200 []
Filter Rack Kit - Left & bottom return only for TUHMB060,080,C100. Left, right & bottom returns for TUHMD120	BAYRACK960 []
Filter Kit/Horizontal Conversion TUHMB060,080.....	BAYFLTR203 []
Filter Kit/Horizontal Conversion TUHMC100	BAYFLTR204 []
Filter Kit/Horizontal Conversion TUHMD120	BAYFLTR205 []
High Altitude Pressure Switch Kit TUHMB060	BAYSWT07AHALTA []
High Altitude Pressure Switch Kit TUHMB080,C100	BAYSWT09AHALTA []
High Altitude Pressure Switch Kit TUHMD120	BAYSWT08AHALTA []
Concentric Vent Kit TUHM Furnaces.....	BAYAIR30AVENTA []
Sidewall Vent Termination Kit All 2 Pipe Direct Vent Furnaces	BAYVENT200B []
Cleanable Filter (14.5"/17.5" wide Upflow models).....	BAYFLTR317 []
Cleanable Filter (21" wide Upflow models).....	BAYFLTR321 []
Cleanable Filter (24.5" wide Upflow models).....	BAYFLTR324 []
CleanEffects™, Whole House Air Cleaner (Upflow 17-1/2" Wide Gas Furnace)	TFD175ALFR000B []
CleanEffects™, Whole House Air Cleaner (Upflow 21" Wide Gas Furnace)	TFD210ALFR000B []
CleanEffects™, Whole House Air Cleaner (Upflow 24-1/2" Wide Gas Furnace)	TFD245ALFR000B []
CleanEffects™, Whole House Air Cleaner (Downflow 17-1/2" Wide Gas Furnace)	TFD17DALFR000B []
CleanEffects™, Whole House Air Cleaner (Downflow 21" Wide Gas Furnace)	TFD21DALFR000B []
CleanEffects™, Whole House Air Cleaner (Downflow 24-1/2" Wide Gas Furnace)	TFD24DALFR000B []
CleanEffects™, Whole House Transformer Kit (120 to 24 Volt - all TFD Air Cleaners).....	BAYTRANS12024 []
CleanEffects™ Connection Kit for Modulating Furnace	BAYACCECOMM100 []



General Data

TUHM PRODUCT SPECIFICATIONS ①

MODEL	TUHMB060ACV3VB ⑦	TUHMB080ACV3VB ⑦	TUHMC100ACV4VB ⑦	TUHMD120ACV5VB ⑦
TYPE	Upflow/Horizontal Left	Upflow/Horizontal Left	Upflow/Horizontal Left	Upflow/Horizontal Left
RATINGS ②				
40% (low) heat Input BTUH	24,000	32,000	40,000	54,000
40% (low) heat Capacity BTUH (ICS) ③⑥	23,000	31,000	39,000	52,000
100% (high) heat Input BTUH	60,000	80,000	100,000	120,000
100% (high) heat Capacity BTUH (ICS) ③	57,000	76,000	95,000	114,000
Temp. rise (Min.-Max.) °F.	35 - 65	35 - 65	35 - 65	40 - 70
AFUE (Upflow / Horizontal)	97.3 / 96.5	97.0 / 96.2	96.0 / 95.2	97.0 / 96.2
BLOWER DRIVE	DIRECT	DIRECT	DIRECT	DIRECT
Diameter - Width (In.)	10 x 8	10 x 8	10 x 10	10 x 10
No. Used	1	1	1	1
Speeds (No.)	Variable	Variable	Variable	Variable
CFM vs. in. w.g.	See Fan Performance Table	See Fan Performance Table	See Fan Performance Table	See Fan Performance Table
Motor HP	1/2	1/2	3/4	1
R.P.M.	Variable	Variable	Variable	Variable
Volts/Ph/Hz	115/1/60	115/1/60	115/1/60	115/1/60
FLA ⑧	6.4	6.4	8.0	10.0
COMBUSTION FAN - Type	Centrifugal	Centrifugal	Centrifugal	Centrifugal
Drive - No. Speeds	Direct - Variable	Direct - Variable	Direct - Variable	Direct - Variable
Motor HP - RPM	1/50 - 5000	1/50 - 5000	1/50 - 5000	1/50 - 5000
Volts/Ph/Hz	115/3/60	115/3/60	115/3/60	115/3/60
FLA	1.0	1.0	1.0	1.0
FILTER — Furnished?	Yes	Yes	Yes	Yes
Type Recommended	High Velocity	High Velocity	High Velocity	High Velocity
Hi Vel. (No.-Size-Thk.)	1 - 17x25 - 1 in.	1 - 17x25 - 1 in.	1 - 20x25 - 1 in.	1 - 24x25 - 1 in.
VENT Size Min. (in.)	2 Round	2 Round	2.5 Round	3 Round
HEAT EXCHANGER				
Type -Fired	Aluminized Steel - Type I	Aluminized Steel - Type I	Aluminized Steel - Type I	Aluminized Steel - Type I
-Unfired				
Gauge (Fired)	20	20	20	20
ORIFICES — Main				
Nat. Gas Qty. — Drill Size	3 — 45	4 — 45	5 — 45	6 — 45
L.P. Gas Qty. — Drill Size ⑤	3 — 56	4 — 56	5 — 56	6 — 56
GAS VALVE	Redundant - Three Stage	Redundant - Three Stage	Redundant - Three Stage	Redundant - Three Stage
PILOT SAFETY DEVICE				
Type	Hot Surface Igniter	Hot Surface Igniter	Hot Surface Igniter	Hot Surface Igniter
BURNERS — Type	Multiport Inshot	Multiport Inshot	Multiport Inshot	Multiport Inshot
Number	3	4	5	6
POWER CONN. — V/Ph/Hz ④	115/1/60	115/1/60	115/1/60	115/1/60
Ampacity (In Amps)	9.2	9.2	11.2	13.7
Max. Overcurrent Protection (Amps)	15	15	15	15
PIPE CONN. SIZE (IN.)	1/2	1/2	1/2	1/2
DIMENSIONS				
Crated (In.)	H x W x D 41-3/4 x 19-1/2 x 30-1/2	H x W x D 41-3/4 x 19-1/2 x 30-1/2	H x W x D 41-3/4 x 23 x 30-1/2	H x W x D 41-3/4 x 26-1/2 x 30-1/2
WEIGHT				
Shipping (Lbs.)/Net (Lbs)	158 / 146	168 / 156	197 / 185	206 / 193

① Central Furnace heating designs are certified to ANSI Z21.47 / CSA 2.3.

② For U.S. applications, above input ratings (BTUH) are up to 2,000 feet, derate 4% per 1,000 feet for elevations above 2,000 feet above sea level.

For Canadian applications, above input ratings (BTUH) are up to 4,500 feet, derate 4% per 1,000 feet for elevations above 4,500 feet above sea level.

③ Based on U.S. government standard tests.

④ The above wiring specifications are in accordance with National Electrical Code; however, installations must comply with local codes.

⑤ Furnace ships in natural gas configuration. The LP conversion kit used with the modulating furnace is BAYLPSS220B or BAYLPKT220B.

⑥ 45% (low) heat for *UHM1D120ACV5VB.

⑦ Energy Star

⑧ Check motor nameplate for actual FLA



General Data

TDHM PRODUCT SPECIFICATIONS ①

MODEL	TDHMB060BCV3VB ⑥	TDHMB080ACV3VB ⑥	TDHMC100ACV4VB ⑥	TDHMD120BCV5VB ⑥
TYPE	Downflow/Horizontal Right	Downflow/Horizontal Right	Downflow/Horizontal Right	Downflow/Horizontal Right
RATINGS ②				
40% (low) heat Input BTUH	24,000	32,000	40,000	48,000
40% (low) heat Capacity BTUH (ICS) ③	23,000	32,000	39,000	47,000
100% (high) heat Input BTUH	60,000	80,000	100,000	120,000
100% (high) heat Capacity BTUH (ICS) ③	57,000	76,000	96,000	114,000
Temp. rise (Min.-Max.) °F.	30 - 60	35 - 65	35 - 65	40 - 70
AFUE	95.0	96.0	96.0	95.0
BLOWER DRIVE				
Diameter - Width (In.)	DIRECT 10 x 8	DIRECT 10 x 8	DIRECT 10 x 10	DIRECT 10 x 10
No. Used	1	1	1	1
Speeds (No.)	Variable	Variable	Variable	Variable
CFM vs. in. w.g.	See Fan Performance Table	See Fan Performance Table	See Fan Performance Table	See Fan Performance Table
Motor HP	1/2	1/2	3/4	1
R.P.M.	Variable	Variable	Variable	Variable
Volts/Ph/Hz	115/1/60	115/1/60	115/1/60	115/1/60
FLA ⑦	6.4	6.4	8.0	10.0
COMBUSTION FAN - Type				
Drive - No. Speeds	Centrifugal Direct - Variable	Centrifugal Direct - Variable	Centrifugal Direct - Variable	Centrifugal Direct - Variable
Motor HP - RPM	1/50 - 5000	1/50 - 5000	1/50 - 5000	1/50 - 5000
Volts/Ph/Hz	115/3/60	115/3/60	115/3/60	115/3/60
FLA	1.0	1.0	1.0	1.0
FILTER — Furnished?				
Type Recommended	Yes High Velocity	Yes High Velocity	Yes High Velocity	Yes High Velocity
Hi Vel. (No.-Size-Thk.)	2 - 14x20 - 1 in.	2 - 14x20 - 1 in.	2 - 16x20 - 1 in.	2 - 16x20 - 1 in.
VENT Size Min. (in.)				
	2 Round	2 Round	2.5 Round	3 Round
HEAT EXCHANGER				
Type -Fired	Aluminized Steel - Type I	Aluminized Steel - Type I	Aluminized Steel - Type I	Aluminized Steel - Type I
-Unfired				
Gauge (Fired)	20	20	20	20
ORIFICES — Main				
Nat. Gas. Qty. — Drill Size	3 — 45	4 — 45	5 — 45	6 — 45
L.P. Gas Qty. — Drill Size ⑤	3 — 56	4 — 56	5 — 56	6 — 56
GAS VALVE				
	Redundant - Three Stage	Redundant - Three Stage	Redundant - Three Stage	Redundant - Three Stage
PILOT SAFETY DEVICE				
Type	Hot Surface Igniter	Hot Surface Igniter	Hot Surface Igniter	Hot Surface Igniter
BURNERS — Type				
Number	Multiport Inshot 3	Multiport Inshot 4	Multiport Inshot 5	Multiport Inshot 6
POWER CONN. — V/Ph/Hz ④				
	115/1/60	115/1/60	115/1/60	115/1/60
Ampacity (In Amps)	9.2	9.2	11.2	13.7
Max. Overcurrent Protection (Amps)	15	15	15	15
PIPE CONN. SIZE (IN.)				
	1/2	1/2	1/2	1/2
DIMENSIONS				
Crated (In.)	H x W x D 41-3/4 x 19-1/2 x 30-1/2	H x W x D 41-3/4 x 19-1/2 x 30-1/2	H x W x D 41-3/4 x 23 x 30-1/2	H x W x D 41-3/4 x 26-1/2 x 30-1/2
WEIGHT				
Shipping (Lbs.)/Net (Lbs)	160/ 146	168 / 158	185 / 175	206 / 196

① Central Furnace heating designs are certified to ANSI Z21.47 / CSA 2.3.

② For U.S. applications, above input ratings (BTUH) are up to 2,000 feet, derate 4% per 1,000 feet for elevations above 2,000 feet above sea level.
For Canadian applications, above input ratings (BTUH) are up to 4,500 feet, derate 4% per 1,000 feet for elevations above 4,500 feet above sea level.

③ Based on U.S. government standard tests.

④ The above wiring specifications are in accordance with National Electrical Code; however, installations must comply with local codes.

⑤ Furnace ships in natural gas configuration. The LP conversion kit used with the modulating furnace is BAYLPSS220B or BAYLPKT220B.

⑥ Energy Star

⑦ Check motor nameplate for actual FLA



TUHM AIRFLOW – HEATING

		*UHMB060ACV3VB [^] Furnace Heating Airflow (CFM) and Power (watts) vs. External Static Pressure With Filter							
	Airflow Setting	Target Airflow (See Note 5)		External Static Pressure					
				0.1	0.3	0.5	0.7	0.9	
Heating	40% (low) Heat	Low	465	CFM	393	504	512	546	560
			Temp. Rise	73	57	56	53	51	
			Watts	43	81	112	142	140	
		Medium Low	504	CFM	435	541	549	580	593
			Temp. Rise	66	53	52	50	49	
			Watts	46	86	119	150	148	
	Medium**	538	CFM	472	573	580	609	621	
		Temp. Rise	61	50	50	47	46		
		Watts	50	90	125	159	155		
	High	605	CFM	545	636	644	667	676	
		Temp. Rise	53	45	45	43	43		
		Watts	60	103	141	177	169		
Heating	65% (medium) Heat	Low	623	CFM	565	653	660	682	691
			Temp. Rise	68	59	58	57	56	
			Watts	64	107	145	182	172	
		Medium Low	675	CFM	622	703	710	727	734
			Temp. Rise	62	55	54	53	53	
			Watts	75	120	161	199	183	
	Medium**	720	CFM	671	745	752	766	771	
		Temp. Rise	58	52	51	50	50		
		Watts	86	133	175	215	192		
	High	810	CFM	769	831	837	843	846	
		Temp. Rise	50	46	46	46	46		
		Watts	114	164	210	250	211		
Heating	100% (high) Heat	Low	830	CFM	791	849	856	861	862
			Temp. Rise	65	61	60	60	60	
			Watts	121	171	219	258	215	
		Medium Low	900	CFM	867	916	922	921	920
			Temp. Rise	59	56	56	56	56	
			Watts	148	201	251	290	230	
	Medium**	960	CFM	932	972	979	973	970	
		Temp. Rise	55	53	53	53	53		
		Watts	174	229	282	319	243		
	High	1080	CFM	1063	1086	1092	1076	1069	
		Temp. Rise	48	47	47	48	48		
		Watts	236	295	353	384	268		

		*UHMB080ACV3VB [^] Furnace Heating Airflow (CFM) and Power (Watts) vs. External Static Pressure With Filter							
	Airflow Setting	Target Airflow (See Note 5)		External Static Pressure					
				0.1	0.3	0.5	0.7	0.9	
Heating	40% (low) Heat	Low	571	CFM	512	564	581	538	572
			Temp. Rise	70	63	62	66	62	
			Watts	45	77	112	109	146	
		Medium Low	643	CFM	586	634	649	606	634
			Temp. Rise	61	56	55	59	56	
			Watts	57	90	129	127	177	
	Medium**	714	CFM	661	704	717	673	696	
		Temp. Rise	54	51	50	53	51		
		Watts	71	106	148	146	207		
	High	821	CFM	772	809	819	774	789	
		Temp. Rise	46	44	44	46	45		
		Watts	99	136	184	176	253		
Heating	65% (medium) Heat	Low	806	CFM	757	794	805	760	776
			Temp. Rise	67	63	63	66	65	
			Watts	95	132	179	172	246	
		Medium Low	907	CFM	862	893	901	855	864
			Temp. Rise	59	56	56	59	58	
			Watts	127	165	217	202	289	
	Medium**	1008	CFM	967	992	997	951	951	
		Temp. Rise	52	51	51	53	53		
		Watts	165	205	262	235	332		
	High	1159	CFM	1125	1139	1141	1093	1083	
		Temp. Rise	45	44	44	46	47		
		Watts	233	276	341	288	395		
Heating	100% (high) Heat	Low	1120	CFM	1084	1101	1104	1056	1048
			Temp. Rise	65	64	63	66	67	
			Watts	214	256	319	273	379	
		Medium Low	1260	CFM	1230	1238	1237	1188	1170
			Temp. Rise	57	57	57	59	60	
			Watts	286	331	401	325	437	
	Medium**	1400	CFM	1376	1375	1370	1320	1292	
		Temp. Rise	51	51	51	53	54		
		Watts	369	418	495	381	496		
	High	1610	CFM	1595	1580	1570	1519	1474	
		Temp. Rise	44	44	45	46	48		
		Watts	398	470	522	522	529		

- Notes:
- * First letter may be "A" or "T".
 - ^ Letter may be "A" through "Z".
 - ** Factory setting.
 - Continuous Fan Setting: Heating or cooling airflow is approximately 50% of selected cooling value.
 - LOW 350 cfm/ton is recommended for variable speed application for COMFORT & HUMID CLIMATE setting; NORMAL is 400 cfm/ton; HIGH 450 cfm/ton is for DRY CLIMATE setting.
 - Target airflow is field selectable for high (100%) heat. Target airflow for low and medium heat are percentages of high heat and are not field selectable.



TUHM AIRFLOW – HEATING

*UHMC100ACV4VB [^] Furnace Heating Airflow (CFM) and Power (Watts) vs. External Static Pressure With Filter									
	Airflow Setting	Target Airflow (See Note 5)		External Static Pressure					
				0.1	0.3	0.5	0.7	0.9	
Heating	40% (low) Heat	Low	606	CFM	592	617	623	617	606
			Temp. Rise	61	59	58	59	60	
			Watts	78	109	141	173	233	
		Medium Low	639	CFM	626	651	655	649	639
			Temp. Rise	58	56	55	56	57	
			Watts	79	110	142	175	236	
	Medium**	672	CFM	660	684	688	682	671	
		Temp. Rise	55	53	53	53	54		
		Watts	81	111	144	177	241		
	High	743	CFM	732	755	757	751	739	
		Temp. Rise	50	48	48	48	49		
		Watts	87	115	149	185	254		
Heating	65% (medium) Heat	Low	1051	CFM	1048	1065	1060	1052	1038
			Temp. Rise	60	59	59	60	61	
			Watts	149	169	208	252	358	
		Medium Low	1109	CFM	1107	1123	1123	1108	1094
			Temp. Rise	57	56	56	57	58	
			Watts	167	186	226	271	386	
	Medium**	1166	CFM	1165	1181	1173	1165	1150	
		Temp. Rise	54	53	54	54	55		
		Watts	187	204	245	292	417		
	High	1289	CFM	1291	1304	1293	1284	1269	
		Temp. Rise	49	48	49	49	50		
		Watts	236	250	293	343	490		
Heating	100% (high) Heat	Low	1460	CFM	1466	1476	1461	1451	1435
			Temp. Rise	60	59	60	60	61	
			Watts	319	330	374	430	613	
		Medium Low	1540	CFM	1548	1556	1540	1529	1512
			Temp. Rise	57	56	57	57	58	
			Watts	364	373	419	476	679	
	Medium**	1620	CFM	1629	1637	1618	1608	1590	
		Temp. Rise	54	54	54	54	55		
		Watts	413	419	467	527	750		
	High	1790	CFM	1803	1807	1785	1774	1755	
		Temp. Rise	49	48	49	49	50		
		Watts	529	532	582	646	864		

*UHMD120ACV5VB [^] Furnace Heating Airflow (CFM) and Power (Watts) vs. External Static Pressure With Filter									
	Airflow Setting	Target Airflow (See Note 5)		External Static Pressure					
				0.1	0.3	0.5	0.7	0.9	
Heating	45% (low) Heat	Low	748	CFM	728	758	785	805	819
			Temp. Rise	62	59	57	56	55	
			Watts	119	107	102	94	108	
		Medium Low	788	CFM	769	797	822	840	853
			Temp. Rise	58	56	54	53	53	
			Watts	113	107	111	113	133	
	Medium**	832	CFM	813	841	864	880	890	
		Temp. Rise	55	53	52	51	50		
		Watts	108	107	122	135	160		
	High	880	CFM	863	889	910	923	930	
		Temp. Rise	52	50	49	49	48		
		Watts	104	108	135	160	191		
Heating	65% (medium) Heat	Low	1224	CFM	1213	1232	1237	1232	1220
			Temp. Rise	60	60	59	60	60	
			Watts	131	160	253	345	405	
		Medium Low	1289	CFM	1279	1297	1299	1290	1274
			Temp. Rise	57	57	56	57	58	
			Watts	147	178	281	382	445	
	Medium**	1361	CFM	1353	1369	1367	1355	1335	
		Temp. Rise	54	54	54	54	55		
		Watts	168	201	313	423	489		
	High	1440	CFM	1434	1448	1443	1426	1402	
		Temp. Rise	51	51	51	51	52		
		Watts	197	229	352	469	538		
Heating	100% (high) Heat	Low	1700	CFM	1699	1707	1690	1659	1621
			Temp. Rise	60	60	60	61	63	
			Watts	325	349	495	628	698	
		Medium Low	1790	CFM	1790	1797	1775	1740	1696
			Temp. Rise	57	57	57	59	60	
			Watts	382	400	551	685	752	
	Medium**	1890	CFM	1892	1896	1870	1830	1781	
		Temp. Rise	54	54	54	56	57		
		Watts	453	462	616	750	813		
	High	2000	CFM	2004	2006	1975	1929	1873	
		Temp. Rise	51	51	52	53	54		
		Watts	540	538	694	822	880		

Notes:

1. * First letter may be "A" or "T".
2. ^ Letter may be "A" through "Z".
3. ** Factory setting.
4. Continuous Fan Setting: Heating or cooling airflow is approximately 50% of selected cooling value.
5. LOW 350 cfm/ton is recommended for variable speed application for COMFORT & HUMID CLIMATE setting; NORMAL is 400 cfm/ton; HIGH 450 cfm/ton is for DRY CLIMATE setting.
6. Target airflow is field selectable for high (100%) heat. Target airflow for low and medium heat are percentages of high heat and are not field selectable.



TUHM AIRFLOW – COOLING

*UHMB060ACV3VB^ Furnace Cooling Airflow (CFM) and Power (Watts) vs. External Static Pressure With Filter								
Unit Outdoor	Airflow Setting		External Static Pressure					
			0.1	0.3	0.5	0.7	0.9	
1.5	290 CFM/ton	CFM	356	476	488	511	519	
		Watts	29	67	97	132	167	
	310 CFM/ton	CFM	389	504	516	538	545	
		Watts	32	71	102	138	174	
	330 CFM/ton	CFM	422	533	544	565	572	
		Watts	36	75	107	144	181	
	350 CFM/ton	CFM	455	561	566	589	592	
		Watts	39	79	111	150	187	
	370 CFM/ton	CFM	487	589	600	619	624	
		Watts	43	84	119	158	197	
	400 CFM/ton	CFM	537	631	655	669	673	
		Watts	50	92	130	171	212	
	430 CFM/ton	CFM	586	674	684	700	702	
		Watts	57	101	139	182	223	
	450 CFM/ton	CFM	619	695	717	727	733	
		Watts	63	106	150	193	236	
	2	290 CFM/ton	CFM	515	613	623	641	646
			Watts	47	88	124	164	204
310 CFM/ton		CFM	559	650	660	677	681	
		Watts	53	96	133	175	215	
330 CFM/ton		CFM	602	688	698	713	716	
		Watts	60	104	143	186	228	
350 CFM/ton		CFM	646	707	737	748	752	
		Watts	68	112	156	200	243	
370 CFM/ton		CFM	690	763	772	785	785	
		Watts	76	123	165	211	255	
400 CFM/ton		CFM	764	816	778	847	844	
		Watts	86	137	180	231	275	
430 CFM/ton		CFM	821	876	884	892	890	
		Watts	108	159	206	256	303	
450 CFM/ton		CFM	937	968	977	985	984	
		Watts	136	193	241	295	343	
2.5		290 CFM/ton	CFM	673	749	758	771	772
			Watts	73	119	161	206	250
	310 CFM/ton	CFM	732	791	756	766	818	
		Watts	79	129	160	203	268	
	330 CFM/ton	CFM	783	843	852	861	860	
		Watts	98	147	193	242	288	
	350 CFM/ton	CFM	848	894	908	917	917	
		Watts	110	163	212	262	308	
	370 CFM/ton	CFM	892	937	945	951	947	
		Watts	129	182	232	284	333	
	400 CFM/ton	CFM	972	1015	972	957	1036	
		Watts	160	213	262	312	374	
	430 CFM/ton	CFM	1057	1078	1085	1085	1078	
		Watts	191	249	306	360	415	
	450 CFM/ton	CFM	1115	1137	1142	1140	1139	
		Watts	214	275	333	388	447	
	3	290 CFM/ton	CFM	832	885	894	901	899
			Watts	111	162	210	260	308
310 CFM/ton		CFM	898	942	950	955	951	
		Watts	131	184	234	286	336	
330 CFM/ton		CFM	964	998	1006	1009	1004	
		Watts	154	209	262	314	366	
350 CFM/ton		CFM	1039	1065	1073	1074	1075	
		Watts	181	237	292	344	402	
370 CFM/ton		CFM	1095	1111	1118	1116	1108	
		Watts	208	268	326	380	436	
400 CFM/ton		CFM	1189	1212	1214	1149	1207	
		Watts	257	320	380	435	500	
430 CFM/ton		CFM	1292	1280	1285	1278	1201	
		Watts	317	383	448	501	508	
450 CFM/ton		CFM	1326	1317	1361	1242	1166	
		Watts	366	433	495	510	509	

Cooling

- Notes:
1. * First letter may be "A" or "T".
 2. ^ Letter may be "A" through "Z"
 3. ** Factory setting.
 4. Continuous Fan Setting: Heating or cooling airflow is approximately 50% of selected cooling value.
 5. LOW 350 cfm/ton is recommended for variable speed application for COMFORT & HUMID CLIMATE setting; NORMAL is 400 cfm/ton; HIGH 450 cfm/ton is for DRY CLIMATE setting.

NOTE:
CONTINUOUS fan mode during COOLING operation may not be appropriate in humid climates. If the indoor air exceeds 60% relative humidity or simply feels uncomfortably humid, it is recommended that the fan only be used in the AUTO mode.



TUHM AIRFLOW – COOLING

*UHMB080ACV3VB [^] Furnace Cooling Airflow (CFM) and Power (Watts) vs. External Static Pressure With Filter								
Unit Outdoor	Airflow Setting		External Static Pressure					
			0.1	0.3	0.5	0.7	0.9	
2	290 CFM/ton	CFM	504	565	586	521	540	
		Watts	34	70	104	138	172	
	310 CFM/ton	CFM	547	604	624	559	579	
		Watts	40	77	112	147	182	
	330 CFM/ton	CFM	590	644	663	597	617	
		Watts	47	85	121	157	193	
	350 CFM/ton	CFM	656	695	701	703	694	
		Watts	54	93	130	167	204	
	370 CFM/ton	CFM	676	724	740	674	694	
		Watts	62	102	140	179	217	
	400 CFM/ton	CFM	764	792	801	795	789	
		Watts	75	116	157	197	238	
	430 CFM/ton	CFM	806	844	856	788	810	
		Watts	89	133	175	216	259	
	450 CFM/ton	CFM	877	899	901	895	886	
		Watts	102	145	188	230	275	
	2.5	290 CFM/ton	CFM	660	709	726	659	680
			Watts	59	99	136	174	212
310 CFM/ton		CFM	740	768	772	769	764	
		Watts	70	109	149	189	229	
330 CFM/ton		CFM	768	809	822	755	776	
		Watts	81	123	164	205	246	
350 CFM/ton		CFM	848	869	871	868	858	
		Watts	94	138	179	220	265	
370 CFM/ton		CFM	875	909	918	850	872	
		Watts	107	153	197	240	284	
400 CFM/ton		CFM	978	994	992	989	980	
		Watts	130	179	224	270	316	
430 CFM/ton		CFM	1037	1058	1063	994	1017	
		Watts	157	209	258	305	354	
450 CFM/ton		CFM	1093	1096	1082	1065	1051	
		Watts	174	227	276	324	378	
3		290 CFM/ton	CFM	816	854	865	798	819
			Watts	92	136	178	220	262
	310 CFM/ton	CFM	881	914	923	855	877	
		Watts	108	155	199	242	286	
	330 CFM/ton	CFM	945	974	981	912	935	
		Watts	127	176	222	266	313	
	350 CFM/ton	CFM	1029	1043	1043	1035	1028	
		Watts	148	199	246	292	340	
	370 CFM/ton	CFM	1074	1093	1097	1027	1050	
		Watts	170	224	274	322	372	
	400 CFM/ton	CFM	1170	1181	1184	1180	1174	
		Watts	206	262	317	370	423	
	430 CFM/ton	CFM	1268	1276	1270	1199	1224	
		Watts	254	314	372	430	484	
	450 CFM/ton	CFM	1321	1321	1306	1295	1251	
		Watts	287	351	415	477	518	
	3.5	290 CFM/ton	CFM	972	998	1005	936	959
			Watts	135	185	232	277	324
310 CFM/ton		CFM	1047	1068	1073	1003	1026	
		Watts	161	213	262	310	359	
330 CFM/ton		CFM	1123	1138	1140	1070	1094	
		Watts	189	244	296	347	398	
350 CFM/ton		CFM	1195	1204	1208	1205	1195	
		Watts	215	275	329	383	437	
370 CFM/ton		CFM	1273	1278	1275	1204	1228	
		Watts	257	317	376	433	488	
400 CFM/ton		CFM	1375	1385	1384	1383	1305	
		Watts	316	383	444	513	513	
430 CFM/ton		CFM	1499	1487	1491	1392	1303	
		Watts	389	457	513	513	513	
450 CFM/ton		CFM	1513	1512	1508	1418	1341	
		Watts	398	470	529	524	522	

Notes:

- * First letter may be "A" or "T".
- ^ Letter may be "A" through "Z"
- ** Factory setting.
- Continuous Fan Setting: Heating or cooling airflow is approximately 50% of selected cooling value.
- LOW 350 cfm/ton is recommended for variable speed application for COMFORT & HUMID CLIMATE setting; NORMAL is 400 cfm/ton; HIGH 450 cfm/ton is for DRY CLIMATE setting.

NOTE:
CONTINUOUS fan mode during COOLING operation may not be appropriate in humid climates. If the indoor air exceeds 60% relative humidity or simply feels uncomfortably humid, it is recommended that the fan only be used in the AUTO mode.



TUHM AIRFLOW – COOLING

*UHMC100ACV4VB [^] Furnace Cooling Airflow (CFM) and Power (Watts) vs. External Static Pressure With Filter								
Unit Outdoor	Airflow Setting		External Static Pressure					
			0.1	0.3	0.5	0.7	0.9	
2.5	290 CFM/ton	CFM	714	734	739	733	722	
		Watts	79	118	157	194	231	
	310 CFM/ton	CFM	765	784	789	782	770	
		Watts	88	128	168	206	244	
	330 CFM/ton	CFM	816	834	838	831	819	
		Watts	96	138	179	220	258	
	350 CFM/ton	CFM	868	884	887	880	867	
		Watts	103	149	192	234	273	
	370 CFM/ton	CFM	919	934	936	929	916	
		Watts	117	161	205	249	290	
	400 CFM/ton	CFM	995	1009	1009	1002	989	
		Watts	135	181	227	274	316	
	430 CFM/ton	CFM	1072	1084	1083	1075	1061	
		Watts	156	204	253	302	346	
	450 CFM/ton	CFM	1123	1134	1132	1124	1110	
		Watts	171	220	271	322	368	
	3	290 CFM/ton	CFM	862	879	882	875	863
			Watts	105	148	190	232	272
310 CFM/ton		CFM	924	939	941	934	921	
		Watts	118	162	207	250	291	
330 CFM/ton		CFM	985	999	1000	992	979	
		Watts	133	178	224	270	313	
350 CFM/ton		CFM	1046	1059	1059	1051	1037	
		Watts	149	196	244	292	336	
370 CFM/ton		CFM	1108	1119	1117	1109	1095	
		Watts	167	215	265	316	362	
400 CFM/ton		CFM	1200	1209	1206	1197	1183	
		Watts	197	248	301	355	404	
430 CFM/ton		CFM	1292	1299	1294	1285	1270	
		Watts	232	286	343	400	453	
450 CFM/ton		CFM	1353	1359	1353	1344	1328	
		Watts	258	314	373	432	488	
3.5		290 CFM/ton	CFM	1011	1024	1024	1017	1003
			Watts	139	185	232	279	322
	310 CFM/ton	CFM	1082	1094	1093	1085	1071	
		Watts	159	207	256	306	351	
	330 CFM/ton	CFM	1154	1164	1162	1153	1139	
		Watts	181	231	283	335	382	
	350 CFM/ton	CFM	1225	1234	1230	1222	1207	
		Watts	206	258	312	367	417	
	370 CFM/ton	CFM	1297	1304	1299	1290	1275	
		Watts	234	288	345	402	455	
	400 CFM/ton	CFM	1404	1409	1402	1393	1377	
		Watts	281	340	400	462	520	
	430 CFM/ton	CFM	1512	1514	1505	1495	1478	
		Watts	336	399	464	530	595	
	450 CFM/ton	CFM	1583	1584	1574	1564	1546	
		Watts	377	444	512	580	650	
	4	290 CFM/ton	CFM	1159	1169	1167	1158	1144
			Watts	183	233	285	337	385
310 CFM/ton		CFM	1241	1249	1245	1236	1221	
		Watts	212	264	319	374	425	
330 CFM/ton		CFM	1323	1329	1324	1315	1299	
		Watts	244	300	358	416	470	
350 CFM/ton		CFM	1404	1409	1402	1393	1377	
		Watts	281	340	400	462	520	
370 CFM/ton		CFM	1486	1489	1481	1471	1454	
		Watts	322	384	448	513	576	
400 CFM/ton		CFM	1609	1609	1599	1588	1571	
		Watts	393	461	530	599	671	
430 CFM/ton		CFM	1732	1730	1716	1705	1687	
		Watts	475	550	624	698	781	
450 CFM/ton		CFM	1813	1810	1795	1783	1765	
		Watts	536	617	694	772	864	

Cooling

- Notes:
1. * First letter may be "A" or "T".
 2. ^ Letter may be "A" through "Z"
 3. ** Factory setting.
 4. Continuous Fan Setting: Heating or cooling airflow is approximately 50% of selected cooling value.
 5. LOW 350 cfm/ton is recommended for variable speed application for COMFORT & HUMID CLIMATE setting; NORMAL is 400 cfm/ton; HIGH 450 cfm/ton is for DRY CLIMATE setting.

NOTE:
CONTINUOUS fan mode during COOLING operation may not be appropriate in humid climates. If the indoor air exceeds 60% relative humidity or simply feels uncomfortably humid, it is recommended that the fan only be used in the AUTO mode.



TUHM AIRFLOW – COOLING

*UHMD120ACV5VB [^] Furnace Cooling Airflow (CFM) and Power (Watts) vs. External Static Pressure With Filter								
Unit Outdoor	Airflow Setting		External Static Pressure					
			0.1	0.3	0.5	0.7	0.9	
Cooling	3.5	290 CFM/ton	CFM	1000	1024	1028	1022	1011
		Watts	122	168	209	251	300	
	310 CFM/ton	CFM	1072	1094	1097	1089	1076	
		Watts	140	188	234	281	331	
	330 CFM/ton	CFM	1143	1164	1165	1157	1141	
		Watts	160	211	261	313	364	
	350 CFM/ton	CFM	1214	1233	1234	1224	1207	
		Watts	182	236	291	347	400	
	370 CFM/ton	CFM	1286	1303	1302	1291	1272	
		Watts	207	264	323	384	438	
	400 CFM/ton	CFM	1393	1408	1405	1392	1370	
		Watts	250	311	377	444	500	
	430 CFM/ton	CFM	1500	1513	1508	1492	1468	
		Watts	300	365	437	509	565	
	450 CFM/ton	CFM	1571	1582	1576	1559	1533	
		Watts	337	406	481	555	611	
	4	290 CFM/ton	CFM	1148	1169	1170	1161	1146
			Watts	161	213	263	315	367
310 CFM/ton		CFM	1230	1248	1248	1238	1221	
		Watts	187	242	297	355	408	
330 CFM/ton		CFM	1311	1328	1327	1315	1295	
		Watts	217	274	335	398	452	
350 CFM/ton		CFM	1393	1408	1405	1392	1370	
		Watts	250	311	377	444	500	
370 CFM/ton		CFM	1474	1488	1483	1468	1445	
		Watts	287	352	422	493	549	
400 CFM/ton		CFM	1597	1607	1601	1583	1556	
		Watts	352	421	497	572	628	
430 CFM/ton		CFM	1719	1727	1718	1699	1668	
		Watts	427	503	581	655	711	
450 CFM/ton		CFM	1801	1807	1797	1775	1743	
		Watts	483	563	642	712	768	
5		290 CFM/ton	CFM	1444	1458	1454	1440	1417
			Watts	273	336	405	475	530
	310 CFM/ton	CFM	1546	1557	1552	1535	1510	
		Watts	324	391	465	538	594	
	330 CFM/ton	CFM	1648	1657	1650	1631	1603	
		Watts	381	454	531	606	662	
	350 CFM/ton	CFM	1750	1757	1748	1727	1696	
		Watts	447	525	603	676	732	
	370 CFM/ton	CFM	1852	1857	1845	1823	1790	
		Watts	522	604	682	749	804	
	400 CFM/ton	CFM	2004	2006	1992	1967	1947	
		Watts	651	742	811	863	966	
	430 CFM/ton	CFM	2157	2156	2140	2050	1947	
		Watts	803	902	966	966	966	
	450 CFM/ton	CFM	2259	2255	2140	2050	1947	
		Watts	966	966	966	966	966	

Notes:

- * First letter may be "A" or "T".
- [^] Letter may be "A" through "Z"
- ** Factory setting.
- Continuous Fan Setting: Heating or cooling airflow is approximately 50% of selected cooling value.
- LOW 350 cfm/ton is recommended for variable speed application for COMFORT & HUMID CLIMATE setting; NORMAL is 400 cfm/ton; HIGH 450 cfm/ton is for DRY CLIMATE setting.

NOTE:
CONTINUOUS fan mode during COOLING operation may not be appropriate in humid climates. If the indoor air exceeds 60% relative humidity or simply feels uncomfortably humid, it is recommended that the fan only be used in the AUTO mode.



TDHM AIRFLOW – HEATING

*DHMB06BCV3VB ^A Furnace Heating Airflow (CFM) and Power (Watts) vs. External Static Pressure With Filter									
	Airflow Setting	Target Airflow (See Note 5)		External Static Pressure					
				0.1	0.3	0.5	0.7	0.9	
Heating	40% (low) Heat	Low	414	CFM	438	436	458	462	474
				Temp. Rise	48	48	46	46	45
				Watts	26	49	70	90	115
		Medium Low	437	CFM	460	458	479	483	493
				Temp. Rise	46	46	44	44	43
				Watts	28	52	73	92	118
		Medium**	478	CFM	499	497	516	518	526
				Temp. Rise	42	42	41	41	40
				Watts	33	58	79	100	127
		High	534	CFM	553	551	567	567	571
				Temp. Rise	38	38	37	37	37
				Watts	42	68	90	114	144
	65% (medium) Heat	Low	702	CFM	715	713	720	714	708
				Temp. Rise	48	48	48	48	48
				Watts	76	106	140	176	217
		Medium Low	741	CFM	753	751	755	749	740
				Temp. Rise	46	46	45	46	46
				Watts	87	117	154	194	237
		Medium**	811	CFM	820	818	819	810	797
				Temp. Rise	42	42	42	42	43
				Watts	108	140	183	228	275
		High	905	CFM	911	909	904	892	873
				Temp. Rise	38	38	38	38	39
				Watts	142	177	226	276	326
	100% (high) Heat	Low	900	CFM	906	904	900	888	869
				Temp. Rise	58	58	59	59	61
				Watts	140	175	223	274	323
		Medium Low	950	CFM	954	952	945	931	910
				Temp. Rise	55	55	56	57	58
				Watts	160	197	248	300	350
		Medium**	1040	CFM	1041	1039	1027	1010	983
				Temp. Rise	51	51	51	52	54
				Watts	202	243	295	347	393
		High	1160	CFM	1157	1155	1136	1115	1080
				Temp. Rise	46	46	46	47	49
				Watts	269	317	361	405	439

*DHMB080ACV3VB ^A Furnace Heating Airflow (CFM) and Power (Watts) vs. External Static Pressure With Filter									
	Airflow Setting	Target Airflow (See Note 5)		External Static Pressure					
				0.1	0.3	0.5	0.7	0.9	
Heating	40% (low) Heat	Low	683	CFM	648	670	681	685	687
				Temp. Rise	57	55	54	54	54
				Watts	79	79	148	155	219
		Medium Low	709	CFM	676	698	708	711	712
				Temp. Rise	54	53	52	52	52
				Watts	85	85	156	163	230
		Medium**	735	CFM	705	725	735	737	736
				Temp. Rise	52	51	50	50	50
				Watts	93	90	165	170	241
		High	845	CFM	824	841	849	846	838
				Temp. Rise	45	44	43	43	44
				Watts	129	119	207	206	291
	65% (medium) Heat	Low	936	CFM	923	937	943	936	923
				Temp. Rise	55	54	54	54	55
				Watts	166	148	249	241	336
		Medium Low	972	CFM	962	974	980	972	956
				Temp. Rise	52	52	51	52	53
				Watts	183	161	268	256	355
		Medium**	1008	CFM	1001	1012	1017	1008	990
				Temp. Rise	50	50	50	50	51
				Watts	201	174	288	272	374
		High	1159	CFM	1165	1171	1173	1158	1130
				Temp. Rise	43	43	43	44	45
				Watts	286	240	382	348	460
	100% (high) Heat	Low	1300	CFM	1318	1319	1319	1297	1261
				Temp. Rise	53	53	53	54	56
				Watts	382	314	485	431	549
		Medium Low	1350	CFM	1372	1372	1370	1347	1307
				Temp. Rise	51	51	51	52	54
				Watts	420	343	526	463	582
		Medium**	1400	CFM	1426	1424	1422	1396	1354
				Temp. Rise	49	49	49	50	52
				Watts	460	373	569	497	617
		High	1610	CFM	1654	1645	1639	1605	1549
				Temp. Rise	42	43	43	44	45
				Watts	650	518	770	655	772

- Notes:
1. * First letter may be "A" or "T".
 2. ^A Letter may be "A" through "Z".
 3. ** Factory setting.
 4. Continuous Fan Setting: Heating or cooling airflow is approximately 50% of selected cooling value.
 5. LOW 350 cfm/ton is recommended for variable speed application for COMFORT & HUMID CLIMATE setting; NORMAL is 400 cfm/ton; HIGH 450 cfm/ton is for DRY CLIMATE setting.
 6. Target airflow is field selectable for high (100%) heat. Target airflow for low and medium heat are percentages of high heat and are not field selectable.



TDHM AIRFLOW – HEATING

*DHMC100ACV4VB ^A Furnace Heating Airflow (CFM) and Power (Watts) vs. External Static Pressure With Filter									
	Airflow Setting	Target Airflow (See Note 5)		External Static Pressure					
				0.1	0.3	0.5	0.7	0.9	
Heating	40% (low) Heat	Low	668	CFM	666	657	643	628	609
				Temp. Rise	59	59	61	62	64
				Watts	24	92	116	206	206
		Medium Low	712	CFM	710	701	686	670	650
				Temp. Rise	55	56	57	58	60
				Watts	32	105	128	220	227
	Medium**	734	CFM	732	723	708	690	670	
			Temp. Rise	53	54	55	56	58	
			Watts	36	111	134	227	237	
	High	757	CFM	755	744	729	711	690	
			Temp. Rise	52	52	53	55	56	
			Watts	40	118	140	235	247	
65% (medium) Heat	Low	1080	CFM	1077	1063	1041	1016	985	
			Temp. Rise	59	59	61	62	64	
			Watts	128	237	237	368	398	
	Medium Low	1152	CFM	1149	1134	1110	1083	1051	
			Temp. Rise	55	56	57	58	60	
			Watts	153	270	262	404	432	
	Medium**	1188	CFM	1185	1169	1145	1117	1084	
			Temp. Rise	53	54	55	56	58	
			Watts	166	286	275	422	449	
	High	1224	CFM	1221	1205	1180	1151	1117	
			Temp. Rise	52	52	53	55	56	
			Watts	180	304	288	441	466	
100% (high) Heat	Low	1500	CFM	1496	1476	1446	1410	1368	
			Temp. Rise	59	59	61	62	64	
			Watts	304	455	396	604	596	
	Medium Low	1600	CFM	1596	1575	1542	1504	1460	
			Temp. Rise	55	56	57	58	60	
			Watts	356	517	438	670	643	
	Medium**	1650	CFM	1646	1624	1590	1551	1505	
			Temp. Rise	53	54	55	56	58	
			Watts	384	550	461	705	667	
	High	1700	CFM	1696	1673	1639	1598	1551	
			Temp. Rise	52	52	53	55	56	
			Watts	413	583	483	726	726	

*DHMD120BCV5VB ^A Furnace Heating Airflow (CFM) and Power (Watts) vs. External Static Pressure With Filter									
	Airflow Setting	Target Airflow (See Note 5)		External Static Pressure					
				0.1	0.3	0.5	0.7	0.9	
Heating	40% (low) Heat	Low	780	CFM	827	870	800	779	785
				Temp. Rise	57	55	59	61	60
				Watts	76	98	142	175	212
		Medium Low	827	CFM	871	917	846	827	834
				Temp. Rise	55	52	56	57	57
				Watts	85	108	153	188	226
	Medium**	870	CFM	911	959	889	872	878	
			Temp. Rise	52	50	53	54	54	
			Watts	94	117	165	201	240	
	High	959	CFM	994	1047	977	964	969	
			Temp. Rise	48	45	49	49	49	
			Watts	116	140	191	230	272	
65% (medium) Heat	Low	1195	CFM	1214	1282	1211	1209	1212	
			Temp. Rise	57	54	57	57	57	
			Watts	193	223	285	334	385	
	Medium Low	1267	CFM	1281	1353	1282	1283	1286	
			Temp. Rise	54	51	54	53	53	
			Watts	224	255	322	375	431	
	Medium**	1469	CFM	1470	1553	1482	1493	1493	
			Temp. Rise	47	44	46	46	46	
			Watts	329	366	449	517	592	
	High	1685	CFM	1671	1767	1696	1717	1715	
			Temp. Rise	41	39	40	40	40	
			Watts	479	519	633	722	831	
100% (high) Heat	Low	1660	CFM	1648	1743	1671	1691	1690	
			Temp. Rise	64	61	63	62	62	
			Watts	459	499	609	695	799	
	Medium Low	1760	CFM	1741	1842	1770	1795	1792	
			Temp. Rise	61	57	60	59	59	
			Watts	541	582	709	808	932	
	Medium**	1850	CFM	1825	1931	1859	1888	1885	
			Temp. Rise	58	55	57	56	56	
			Watts	624	663	811	922	1068	
	High	2040	CFM	2002	1983	1977	1902	1853	
			Temp. Rise	53	53	53	55	57	
			Watts	827	925	925	925	925	

- Notes:
1. * First letter may be "A" or "T".
 2. ^ Letter may be "A" through "Z".
 3. ** Factory setting.
 4. Continuous Fan Setting: Heating or cooling airflow is approximately 50% of selected cooling value.
 5. LOW 350 cfm/ton is recommended for variable speed application for COMFORT & HUMID CLIMATE setting; NORMAL is 400 cfm/ton; HIGH 450 cfm/ton is for DRY CLIMATE setting.
 6. Target airflow is field selectable for high (100%) heat. Target airflow for low and medium heat are percentages of high heat and are not field selectable.



TDHM AIRFLOW – COOLING

*DHMB060BCV3VB ^A Furnace Cooling Airflow (CFM) and Power (Watts) vs. External Static Pressure With Filter								
Cooling	Unit Outdoor Size (tons)	Airflow Setting	External Static Pressure					
			0.1	0.3	0.5	0.7	0.9	
Cooling	1.5	290 CFM/ton	CFM	458	456	477	481	491
			Watts	28	52	73	92	118
		310 CFM/ton	CFM	487	485	504	507	515
			Watts	32	56	77	97	124
		330 CFM/ton	CFM	516	514	532	533	540
			Watts	36	61	82	104	132
		350 CFM/ton	CFM	545	543	559	560	564
			Watts	40	66	88	111	141
	370 CFM/ton	CFM	574	572	586	586	589	
		Watts	45	72	95	120	151	
	400 CFM/ton	CFM	617	615	627	625	625	
		Watts	54	81	107	135	169	
	430 CFM/ton	CFM	660	658	668	665	662	
		Watts	63	91	120	152	189	
	450 CFM/ton	CFM	689	687	695	691	686	
		Watts	70	99	130	164	203	
	2	290 CFM/ton	CFM	598	596	609	608	609
			Watts	50	77	101	128	161
		310 CFM/ton	CFM	636	634	645	643	641
			Watts	58	85	113	142	177
		330 CFM/ton	CFM	675	673	682	678	674
			Watts	66	95	125	158	196
		350 CFM/ton	CFM	713	711	718	713	706
			Watts	76	105	139	175	216
370 CFM/ton	CFM	752	750	754	748	739		
	Watts	87	117	154	193	236		
400 CFM/ton	CFM	810	808	809	800	788		
	Watts	104	136	178	222	269		
430 CFM/ton	CFM	868	866	863	853	836		
	Watts	125	159	205	253	301		
450 CFM/ton	CFM	906	904	900	888	869		
	Watts	140	175	223	274	323		
2.5	290 CFM/ton	CFM	738	735	741	735	727	
		Watts	82	113	148	186	228	
	310 CFM/ton	CFM	786	784	786	778	767	
		Watts	97	128	168	210	255	
	330 CFM/ton	CFM	834	832	831	822	808	
		Watts	112	145	189	235	282	
	350 CFM/ton	CFM	882	880	877	866	849	
		Watts	130	164	212	261	310	
370 CFM/ton	CFM	930	928	922	909	889		
	Watts	150	186	236	287	337		
400 CFM/ton	CFM	1003	1000	990	975	950		
	Watts	183	222	274	326	375		
430 CFM/ton	CFM	1075	1073	1059	1041	1011		
	Watts	220	263	314	364	408		
450 CFM/ton	CFM	1123	1121	1104	1084	1052		
	Watts	248	294	341	389	427		
3	290 CFM/ton	CFM	877	875	872	861	845	
		Watts	128	162	209	258	307	
	310 CFM/ton	CFM	935	933	927	914	893	
		Watts	152	188	238	289	339	
	330 CFM/ton	CFM	993	991	981	966	942	
		Watts	178	217	268	321	370	
	350 CFM/ton	CFM	1051	1049	1036	1019	991	
		Watts	207	249	300	352	398	
370 CFM/ton	CFM	1109	1106	1090	1071	1040		
	Watts	239	284	333	381	422		
400 CFM/ton	CFM	1195	1193	1172	1150	1113		
	Watts	294	345	384	422	449		
430 CFM/ton	CFM	1282	1280	1254	1229	1186		
	Watts	357	414	436	456	463		
450 CFM/ton	CFM	1334	1351	1272	1201	1125		
	Watts	405	466	463	459	455		

NOTE:
CONTINUOUS fan mode during **COOLING** operation may not be appropriate in humid climates. If the indoor air exceeds 60% relative humidity or simply feels uncomfortably humid, it is recommended that the fan only be used in the **AUTO** mode.

Notes:
 1. * First letter may be "A" or "T".
 2. ^ Letter may be "A" through "Z"
 3. ** Factory setting.
 4. Continuous Fan Setting: Heating or cooling airflow is approximately 50% of selected cooling value.
 5. LOW 350 cfm/ton is recommended for variable speed application for COMFORT & HUMID CLIMATE setting; NORMAL is 400 cfm/ton; HIGH 450 cfm/ton is for DRY CLIMATE setting.



TDHM AIRFLOW – COOLING

*DHMB080ACV3VB [^] Furnace Cooling Airflow (CFM) and Power (Watts) vs. External Static Pressure With Filter									
Unit Outdoor	Airflow Setting		External Static Pressure						
			0.1	0.3	0.5	0.7	0.9		
Cooling	2	290 CFM/ton	CFM	535	558	572	580	580	
		Watts	44	74	108	142	175		
	310 CFM/ton	CFM	579	601	614	620	619		
		Watts	51	82	118	152	187		
	330 CFM/ton	CFM	622	643	655	660	659		
		Watts	58	92	128	163	199		
	350 CFM/ton	CFM	665	697	705	697	694		
		Watts	67	104	141	175	214		
	370 CFM/ton	CFM	709	728	738	741	737		
		Watts	76	113	151	187	225		
	400 CFM/ton	CFM	779	802	809	797	793		
		Watts	90	131	169	207	250		
	430 CFM/ton	CFM	839	854	863	862	855		
		Watts	110	152	192	231	272		
	450 CFM/ton	CFM	903	917	916	906	891		
		Watts	125	168	208	248	287		
	Cooling	2.5	290 CFM/ton	CFM	692	712	723	726	722
			Watts	72	109	146	182	220	
310 CFM/ton		CFM	747	765	774	776	771		
		Watts	85	123	162	199	238		
330 CFM/ton		CFM	801	817	826	827	820		
		Watts	99	140	179	217	257		
350 CFM/ton		CFM	855	870	878	877	869		
		Watts	115	157	198	237	278		
370 CFM/ton		CFM	909	923	930	927	918		
		Watts	132	177	218	259	301		
400 CFM/ton		CFM	1005	1014	1014	1003	993		
		Watts	164	211	252	295	337		
430 CFM/ton		CFM	1072	1082	1086	1078	1065		
		Watts	196	246	291	336	381		
450 CFM/ton		CFM	1126	1134	1137	1129	1114		
		Watts	221	272	319	366	411		
Cooling		3	290 CFM/ton	CFM	849	865	873	872	864
			Watts	113	156	196	235	276	
	310 CFM/ton	CFM	915	928	935	932	923		
		Watts	134	179	221	261	303		
	330 CFM/ton	CFM	980	992	997	993	982		
		Watts	158	205	248	290	333		
	350 CFM/ton	CFM	1045	1055	1060	1053	1041		
		Watts	184	233	278	322	366		
	370 CFM/ton	CFM	1110	1119	1122	1114	1100		
		Watts	213	264	311	357	402		
	400 CFM/ton	CFM	1211	1208	1209	1202	1195		
		Watts	260	312	366	418	465		
	430 CFM/ton	CFM	1305	1309	1309	1295	1242		
		Watts	319	373	428	482	502		
	450 CFM/ton	CFM	1370	1372	1371	1320	1242		
		Watts	360	415	473	502	502		

Notes:

- * First letter may be "A" or "T".
- [^] Letter may be "A" through "Z"
- ** Factory setting.
- Continuous Fan Setting: Heating or cooling airflow is approximately 50% of selected cooling value.
- LOW 350 cfm/ton is recommended for variable speed application for COMFORT & HUMID CLIMATE setting; NORMAL is 400 cfm/ton; HIGH 450 cfm/ton is for DRY CLIMATE setting.

NOTE:
CONTINUOUS fan mode during **COOLING** operation may not be appropriate in humid climates. If the indoor air exceeds 60% relative humidity or simply feels uncomfortably humid, it is recommended that the fan only be used in the **AUTO** mode.



TDHM AIRFLOW – COOLING

*DHMC100ACV4VB ^A Furnace Cooling Airflow (CFM) and Power (Watts) vs. External Static Pressure With Filter								
Unit Outdoor	Airflow Setting	External Static Pressure						
		0.1	0.3	0.5	0.7	0.9		
2.5	290 CFM/ton	CFM	723	713	699	682	661	
		Watts	58	109	157	204	234	
	310 CFM/ton	CFM	773	763	747	729	707	
		Watts	72	125	174	222	256	
	330 CFM/ton	CFM	823	812	795	776	753	
		Watts	87	141	182	241	279	
	350 CFM/ton	CFM	873	861	842	823	798	
		Watts	103	158	210	260	302	
	370 CFM/ton	CFM	923	910	892	870	844	
		Watts	120	177	229	279	325	
	400 CFM/ton	CFM	998	984	964	940	912	
		Watts	148	206	258	309	360	
	430 CFM/ton	CFM	1072	1058	1036	1011	981	
		Watts	179	238	290	341	396	
	450 CFM/ton	CFM	1122	1107	1084	1058	1026	
		Watts	201	260	312	362	420	
	3	290 CFM/ton	CFM	868	856	839	818	794
			Watts	101	157	208	258	299
310 CFM/ton		CFM	928	915	896	874	849	
		Watts	122	179	231	281	327	
330 CFM/ton		CFM	988	974	954	931	903	
		Watts	144	202	254	305	356	
350 CFM/ton		CFM	1047	1033	1012	987	958	
		Watts	169	227	279	330	384	
370 CFM/ton		CFM	1107	1092	1070	1044	1013	
		Watts	195	253	305	356	413	
400 CFM/ton		CFM	1197	1181	1157	1128	1095	
		Watts	237	296	346	395	455	
430 CFM/ton		CFM	1287	1269	1243	1213	1177	
		Watts	284	341	390	436	498	
450 CFM/ton		CFM	1347	1329	1301	1269	1232	
		Watts	317	373	420	465	526	
3.5		290 CFM/ton	CFM	1013	999	978	954	926
			Watts	154	212	265	315	367
	310 CFM/ton	CFM	1082	1068	1048	1020	990	
		Watts	184	242	294	345	401	
	330 CFM/ton	CFM	1152	1137	1113	1086	1054	
		Watts	215	274	325	375	434	
	350 CFM/ton	CFM	1222	1206	1181	1152	1118	
		Watts	250	308	358	406	467	
	370 CFM/ton	CFM	1292	1274	1248	1218	1182	
		Watts	286	344	392	439	500	
	400 CFM/ton	CFM	1397	1378	1349	1316	1277	
		Watts	346	401	446	489	548	
	430 CFM/ton	CFM	1501	1481	1451	1415	1373	
		Watts	411	463	503	541	595	
	450 CFM/ton	CFM	1571	1550	1518	1481	1437	
		Watts	457	507	543	577	625	
	4	290 CFM/ton	CFM	1157	1142	1118	1091	1058
			Watts	218	276	328	377	436
310 CFM/ton		CFM	1237	1220	1195	1166	1131	
		Watts	257	315	365	413	474	
330 CFM/ton		CFM	1317	1299	1272	1241	1204	
		Watts	300	357	405	450	512	
350 CFM/ton		CFM	1397	1378	1349	1316	1277	
		Watts	346	401	446	489	548	
370 CFM/ton		CFM	1476	1456	1426	1392	1350	
		Watts	395	448	489	529	584	
400 CFM/ton		CFM	1596	1575	1542	1504	1460	
		Watts	474	523	558	591	636	
430 CFM/ton		CFM	1716	1693	1658	1617	1569	
		Watts	560	604	631	726	726	
450 CFM/ton		CFM	1796	1771	1735	1693	1642	
		Watts	622	661	682	726	726	

Cooling

- Notes:
1. * First letter may be "A" or "T".
 2. ^ Letter may be "A" through "Z"
 3. ** Factory setting.
 4. Continuous Fan Setting: Heating or cooling airflow is approximately 50% of selected cooling value.
 5. LOW 350 cfm/ton is recommended for variable speed application for COMFORT & HUMID CLIMATE setting; NORMAL is 400 cfm/ton; HIGH 450 cfm/ton is for DRY CLIMATE setting.

NOTE:
CONTINUOUS fan mode during COOLING operation may not be appropriate in humid climates. If the indoor air exceeds 60% relative humidity or simply feels uncomfortably humid, it is recommended that the fan only be used in the AUTO mode.



TDHM AIRFLOW – COOLING

*DHMD120BCV5VB^ Furnace Cooling Airflow (CFM) & Power (Watts) vs. External Static Pressure w/Filter							
Unit Outdoor Size (tons)	Airflow Setting		External Static Pressure				
			0.1	0.3	0.5	0.7	0.9
3.5	290 CFM/ton	CFM	1046	1103	1032	1027	1022
		Watts	131	157	210	251	295
	310 CFM/ton	CFM	1111	1172	1102	1099	1095
		Watts	153	180	237	280	326
	330 CFM/ton	CFM	1177	1242	1171	1171	1167
		Watts	178	207	266	313	363
	350 CFM/ton	CFM	1242	1311	1240	1243	1240
		Watts	205	236	300	350	404
	370 CFM/ton	CFM	1307	1381	1310	1315	1312
		Watts	236	269	337	392	450
	400 CFM/ton	CFM	1405	1485	1414	1422	1421
		Watts	289	325	401	464	531
	430 CFM/ton	CFM	1503	1589	1518	1530	1530
		Watts	351	389	476	547	627
	450 CFM/ton	CFM	1569	1658	1587	1602	1603
		Watts	397	436	533	610	700
4	290 CFM/ton	CFM	1181	1247	1176	1176	1172
		Watts	180	209	269	316	365
	310 CFM/ton	CFM	1256	1326	1255	1258	1255
		Watts	212	243	308	359	413
	330 CFM/ton	CFM	1331	1405	1335	1340	1338
		Watts	248	282	352	408	468
	350 CFM/ton	CFM	1405	1485	1414	1422	1421
		Watts	289	325	401	464	531
	370 CFM/ton	CFM	1480	1564	1493	1505	1504
		Watts	336	373	457	526	602
	400 CFM/ton	CFM	1592	1683	1612	1628	1629
		Watts	415	454	554	634	728
	430 CFM/ton	CFM	1704	1802	1731	1751	1753
		Watts	507	548	667	761	877
	450 CFM/ton	CFM	1778	1882	1810	1833	1836
		Watts	577	617	753	857	991
5	290 CFM/ton	CFM	1452	1534	1463	1474	1473
		Watts	318	354	436	502	574
	310 CFM/ton	CFM	1545	1634	1562	1577	1577
		Watts	380	419	512	587	673
	330 CFM/ton	CFM	1639	1733	1661	1679	1681
		Watts	452	492	599	685	787
	350 CFM/ton	CFM	1732	1832	1760	1782	1784
		Watts	533	573	699	796	918
	370 CFM/ton	CFM	1825	1931	1859	1885	1888
		Watts	624	663	811	922	925
	400 CFM/ton	CFM	1965	2080	1977	1902	1853
		Watts	781	925	925	925	925
	430 CFM/ton	CFM	2064	2229	1977	1902	1853
		Watts	925	925	925	925	925
	450 CFM/ton	CFM	2064	2250	1977	1902	1853
		Watts	925	925	925	925	925

Notes:

- * First letter may be "A" or "T".
- ^ Letter may be "A" through "Z"
- ** Factory setting.
- Continuous Fan Setting: Heating or cooling airflow is approximately 50% of selected cooling value.
- LOW 350 cfm/ton is recommended for variable speed application for COMFORT & HUMID CLIMATE setting; NORMAL is 400 cfm/ton; HIGH 450 cfm/ton is for DRY CLIMATE setting.

NOTE:
CONTINUOUS fan mode during COOLING operation may not be appropriate in humid climates. If the indoor air exceeds 60% relative humidity or simply feels uncomfortably humid, it is recommended that the fan only be used in the AUTO mode.



Maximum Vent Length Table

VENT LENGTH TABLE - MODULATING FURNACE						
ALTITUDE	MAXIMUM TOTAL EQUIVALENT LENGTH IN FEET FOR VENT AND INLET AIR (SEE NOTES)					
0-7000 Feet	2 INCH PIPE		2.5 INCH PIPE		3 or 4 INCH PIPE	
	NATURAL GAS	PROPANE	NATURAL GAS	PROPANE	NATURAL GAS	PROPANE
UH/DHMB060ACV3V	200	Not Allowed	200	Not Allowed	200	150
UH/DHMB080ACV3V	50	Not Allowed	120	Not Allowed	200	150
UH/DHMC100ACV4V	Not Allowed	Not Allowed	60	Not Allowed	200	150
UHMD120ACV5V	Not Allowed	Not Allowed	Not Allowed	Not Allowed	200	150
DHMD120ACV5V	Not Allowed	Not Allowed	Not Allowed	Not Allowed	200	100
7000-9500 Feet	2 INCH PIPE		2.5 INCH PIPE		3 or 4 INCH PIPE	
	NATURAL GAS	PROPANE	NATURAL GAS	PROPANE	NATURAL GAS	PROPANE
UH/DHMB060ACV3V	100	Not Allowed	100	Not Allowed	100	100
UH/DHMB080ACV3V	25	Not Allowed	60	Not Allowed	100	100
UH/DHMC100ACV4V	Not Allowed	Not Allowed	30	Not Allowed	100	100
UHMD120ACV5V	Not Allowed	Not Allowed	Not Allowed	Not Allowed	100	100
DHMD120ACV5V	Not Allowed	Not Allowed	Not Allowed	Not Allowed	100	50
9500-12000 Feet	2 INCH PIPE		2.5 INCH PIPE		3 or 4 INCH PIPE	
	NATURAL GAS	PROPANE	NATURAL GAS	PROPANE	NATURAL GAS	PROPANE
UH/DHMB060ACV3V	50	Not Allowed	50	Not Allowed	50	38
UH/DHMB080ACV3V	Not Allowed	Not Allowed	30	Not Allowed	50	38
UH/DHMC100ACV4V	Not Allowed	Not Allowed	Not Allowed	Not Allowed	50	38
UHMD120ACV5V	Not Allowed	Not Allowed	Not Allowed	Not Allowed	50	38
DHMD120ACV5V	Not Allowed	Not Allowed	Not Allowed	Not Allowed	50	25

Notes: * - First letter may be "A" or "T", ** - Last two digits may be "A" thru "Z"

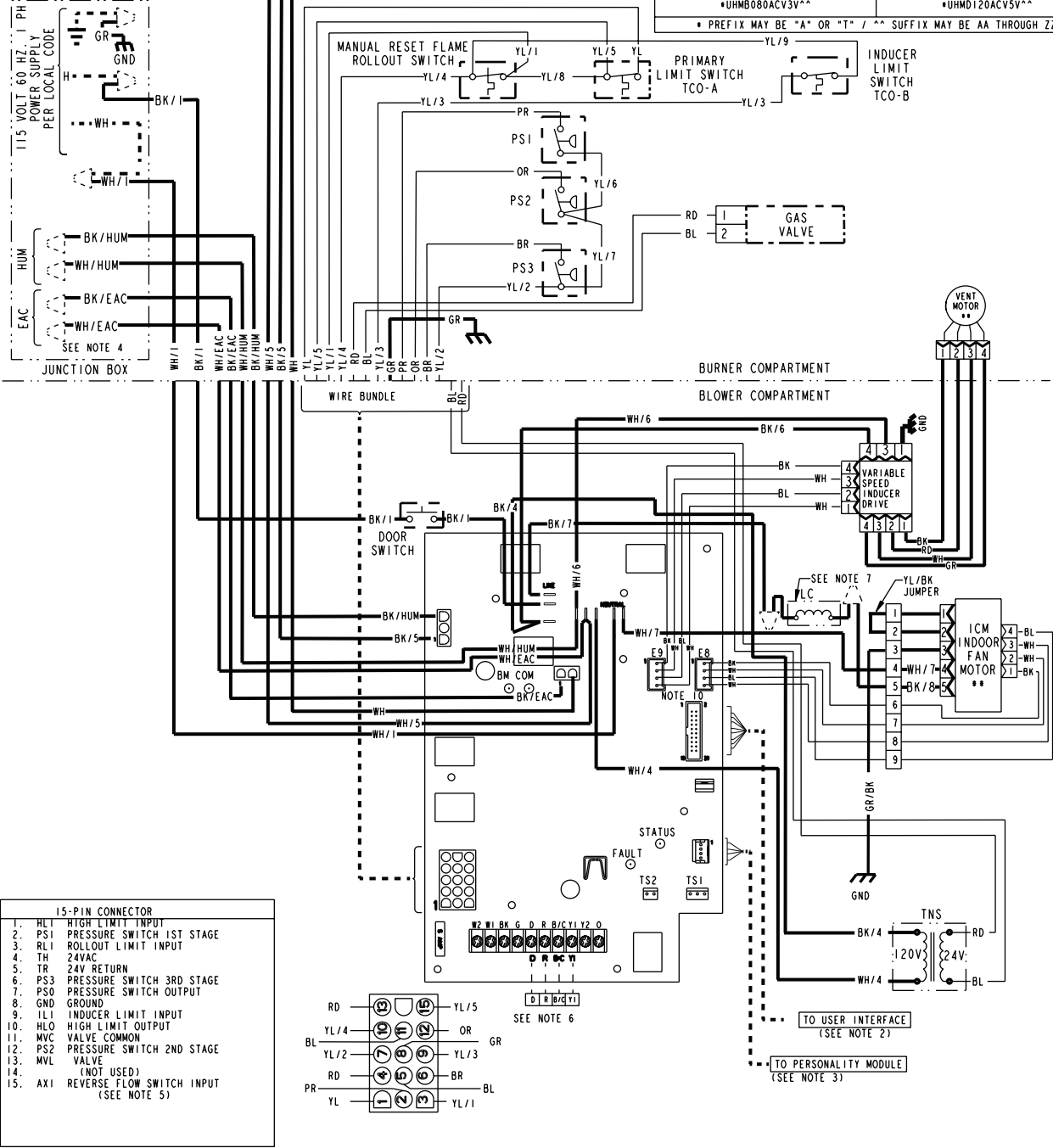
1. Minimum vent length for all models: 3' horizontal or 3' vertical
2. DO NOT MIX PIPE DIAMETERS IN THE SAME LENGTH OF PIPE OUTSIDE THE FURNACE CABINET, (Except adapters at the top of the furnace). If different inlet and vent pipe sizes are used, the vent pipe must adhere to the maximum length limit shown in the table above (See note 6 below for exception). The inlet pipe can be of a larger diameter, but never smaller than the vent pipe.
3. MAXIMUM PIPE LENGTHS MUST NOT BE EXCEEDED! THE LENGTH SHOWN IS NOT A COMBINED TOTAL, IT IS THE MAXIMUM LENGTH OF EACH (Vent or Inlet air pipes).
4. One SHORT radius 90° elbow is equivalent to 10' of 3" pipe and one LONG radius elbow is equivalent to 6' of 3" pipe. One 90° elbow is equivalent to 7½' of 2½" pipe or 5' of 2" pipe. Two 45° elbows equal one 90° elbow.
5. The termination tee or bend must be included in the total number of elbows. If the BAYAIR30AVENTA termination kit is used, the equivalent length of pipe is 5 feet. BAYVENT200B equivalent length is 0 feet.
6. Pipe adapters are field supplied. Downflow models, UHM 100 and UHM 120 models include the 2" x 3" adapter.
7. For Canadian applications ONLY, IPEX 196006 may be used for horizontal and vertical terminations. IPEX 081216, IPEX 081218, and IPEX 081219 may only be used for horizontal vent terminations. Equivalent lengths are IPEX 196009 = 5 feet, IPEX 081216 = 11 feet, IPEX 081218 = 16 feet, and IPEX 081219 = 21 feet

Electrical Data

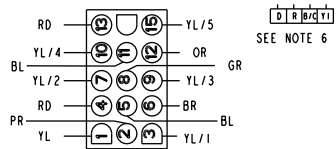
TUHM Wiring Diagram

IMPORTANT:
 INTEGRATED CONTROL IS POLARITY SENSITIVE.
 HOT LEG OF 120V POWER SUPPLY MUST BE
 CONNECTED TO THE BLACK POWER LEAD AS
 INDICATED ON WIRING DIAGRAM.

TABLE "A"	
MODELS	
•UHMB060ACV3V^^	•UHMC100ACV4V^^
•UHMB080ACV3V^^	•UHMD120ACV5V^^
• PREFIX MAY BE "A" OR "T" / ^^ SUFFIX MAY BE AA THROUGH ZZ	



15-PIN CONNECTOR	
1.	H/LI HIGH LIMIT INPUT
2.	PS1 PRESSURE SWITCH 1ST STAGE
3.	R/LI ROLLOUT LIMIT INPUT
4.	TH 24VAC
5.	TR 24V RETURN
6.	PS3 PRESSURE SWITCH 3RD STAGE
7.	PSO PRESSURE SWITCH OUTPUT
8.	GND GROUND
9.	I/LI INDUCER LIMIT INPUT
10.	H/O HIGH LIMIT OUTPUT
11.	MVC VALVE COMMON
12.	PS2 PRESSURE SWITCH 2ND STAGE
13.	MVL VALVE (NOT USED)
14.	AXI REVERSE FLOW SWITCH INPUT (SEE NOTE 5)



TO USER INTERFACE
 (SEE NOTE 2)

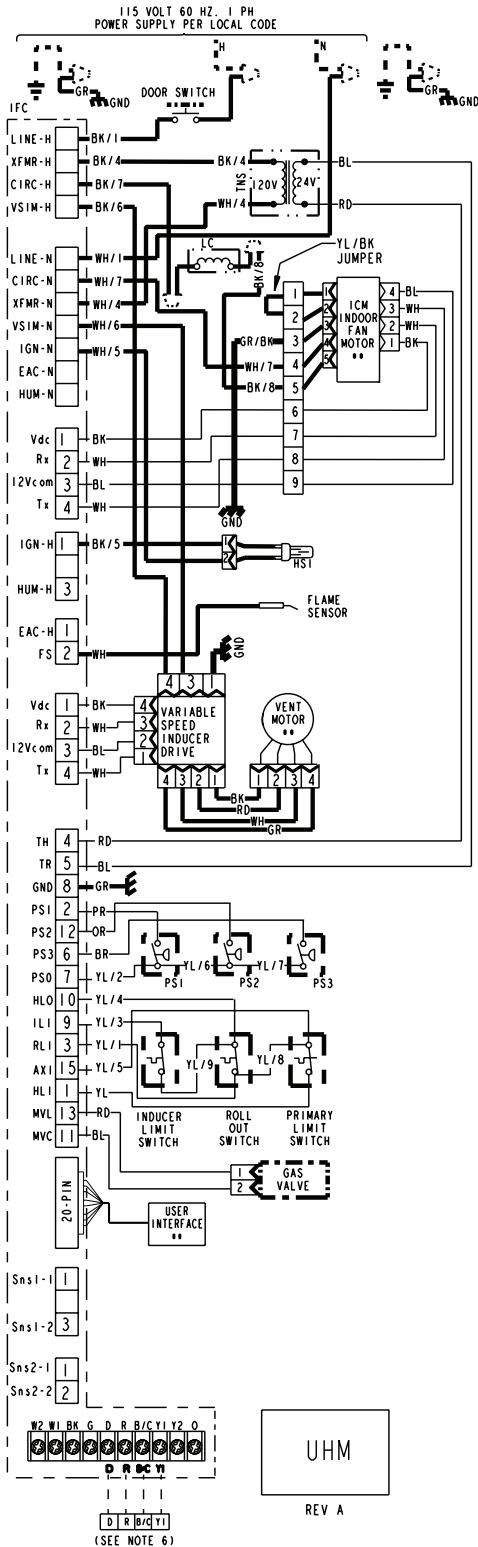
TO PERSONALITY MODULE
 (SEE NOTE 3)

⚠ CAUTION

Label all wires prior to disconnection when servicing controls. Wiring errors can cause improper and dangerous operation. Verify proper operation after servicing.

Electrical Data

TUHM Schematic Diagram



DIAGNOSTIC CODES

RED LED - FAULT Data - 1 Flash every 20 seconds	
2 FLASHES - SYSTEM LOCKOUT RETRIES OR RECYCLES EXCEEDED	6 FLASHES - 115 VOLT AC POWER REVERSED OR IGNITER FAULT
3 FLASHES - PRESSURE SWITCH FAULT	7 FLASHES - GAS VALVE CIRCUIT ERROR
4 FLASHES - OPEN LIMIT SWITCH	8 FLASHES - LOW FLAME SENSE SIGNAL
5 FLASHES - FLAME SENSED WHEN NO FLAME SHOULD BE PRESENT	9 FLASHES - OPEN INDUCER LIMIT
	10 FLASHES - COMMUNICATION FAULT
GREEN LED - STATUS	
SLOW FLASH - NORMAL, NO CALL FOR HEAT	
FAST FLASH - NORMAL, CALL FOR HEAT PRESENT	
GREEN AND RED LED'S ON CONTINUOUS - INTERNAL CONTROL FAILURE	
GREEN AND RED LED'S OFF CONTINUOUS - FUSE OPEN	

WARNING

HAZARDOUS VOLTAGE
DISCONNECT ALL ELECTRICAL POWER INCLUDING REMOTE DISCONNECTS BEFORE SERVICING.
FAILURE TO DISCONNECT POWER BEFORE SERVICING CAN CAUSE SEVERE PERSONAL INJURY OR DEATH.

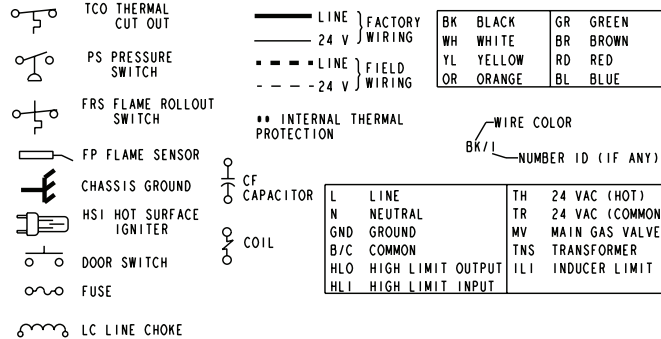
CAUTION

USE COPPER CONDUCTORS ONLY!
UNIT TERMINALS ARE NOT DESIGNED TO ACCEPT OTHER TYPES OF CONDUCTORS.
FAILURE TO DO SO MAY CAUSE DAMAGE TO THE EQUIPMENT.

INTEGRATED FURNACE CONTROL

REPLACE WITH PART CNT 07080 OR EQUIVALENT
ELECTRICAL RATING
INPUT: 25 V.A.C., 60 HZ.
XFMR SEC. CURRENT: 450 MA. + MV LOAD
MV OUTPUT: 1.5 A @ 24 V.A.C.
IND OUTPUT: 3 PHASE OUTPUT
IGN OUTPUT: 2.0 A @ 120V.A.C.
CIRC. BLOWER OUTPUT: 14.5 FLA,
25 LRA @ 120 VAC
HUMIDIFIER & AIR CLEANER
MAX. LOAD: 1.0 A @ 120 VAC

TIMINGS
PREPURGE: 0 SEC.; INTERPURGE: 60 SEC.
POST PURGE: 5 SECONDS
IGNITOR WARMUP: 20 SECONDS
IAP: 3; TFI: 5 SECONDS
RETRIES: 2; RECYCLES: 10
HEAT ON DELAY: 45 SECONDS
COOL ON DELAY: 0 SECONDS
AUTO RESTART: 60 MINUTES
AUTO RESTART PURGE: 15 SECONDS



NOTES:

- IF ANY OF THE ORIGINAL WIRING AS SUPPLIED WITH THIS FURNACE MUST BE REPLACED, IT MUST BE WITH WIRE HAVING A TEMPERATURE RATING OF AT LEAST 105° C.
- USER INTERFACE MUST BE INSTALLED FOR PROPER FURNACE INSTALLATION & SET-UP.
- CORRECT PERSONALITY MODULE IS REQUIRED FOR PROPER FURNACE OPERATION. PERSONALITY MODULE IS SPECIFIC TO EACH MODEL & SERIAL NUMBER, AND IS TO REMAIN WITHIN ITS ORIGINAL UNIT.
- THESE LEADS PROVIDE 120V POWER CONNECTIONS FOR ELECTRONIC AIR CLEANER (EAC) AND HUMIDIFIER (HUM). MAX. LOAD: 1.0 AMPS EACH.
- ON POWER-UP, LAST FOUR FAULTS, IF ANY, WILL BE FLASHED ON RED LED. GREEN LED WILL BE SOLID ON DURING LAST FAULT RECOVERY.
- Y1 IS OUTPUT TO NON-COMMUNICATING OUTDOOR UNIT.
- LINE CHOKE (LC) NOT USED ON ALL MODELS.
- IN 24 VOLT MODE, AN OPTIONAL HUMIDISTAT CAN BE CONNECTED BETWEEN THE "R" AND "BK" TERMINALS. FACTORY INSTALLED "BK JUMPER" ON THE CIRCUIT BOARD MUST BE CUT. SEE FURNACE INSTALLERS GUIDE FOR DETAILS.
- USED ON UHM/UXM MODELS ONLY.
- THESE TWO MOTOR CONNECTIONS (E8 & E9) ARE INTERCHANGEABLE.



D343630G04

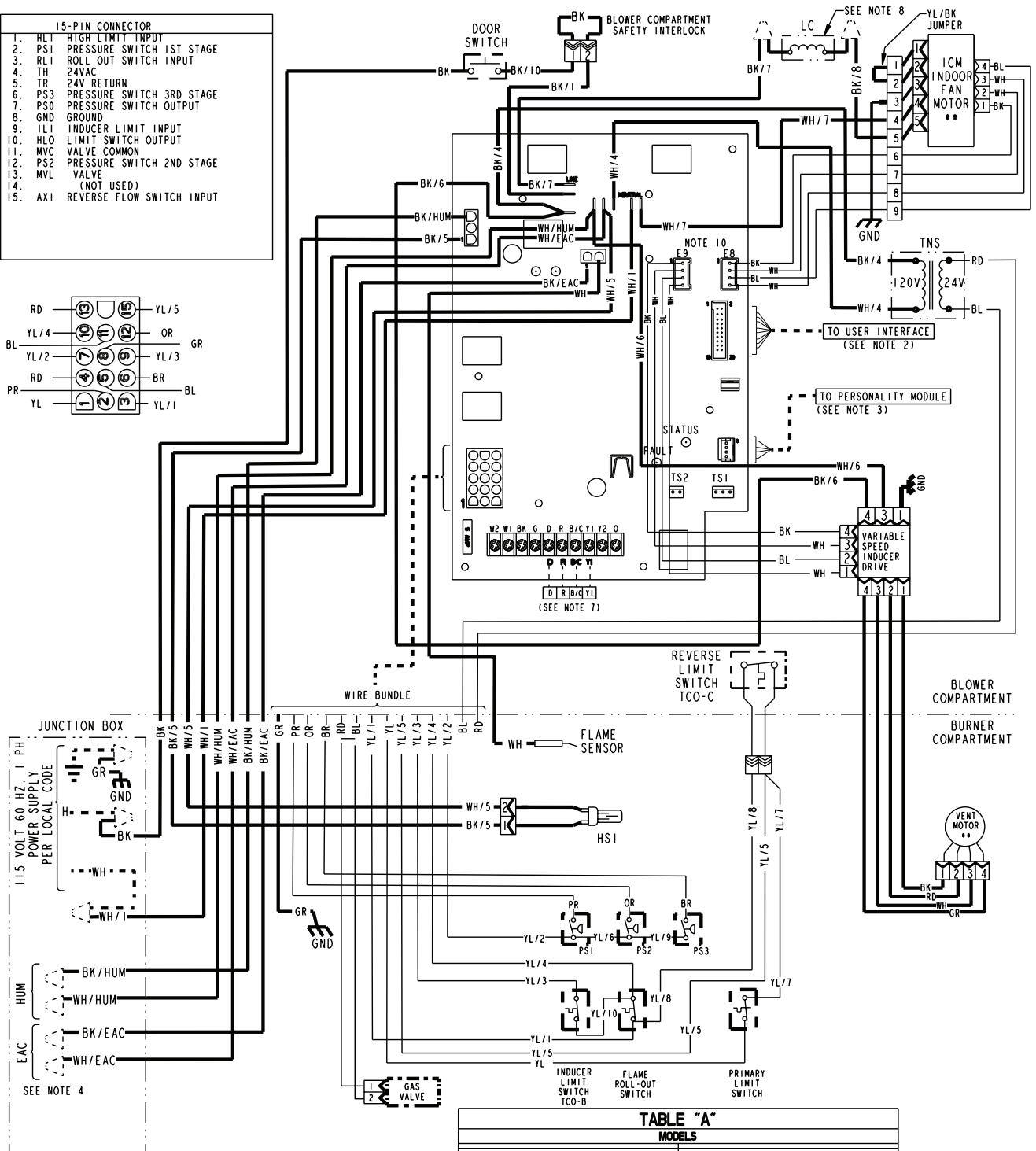
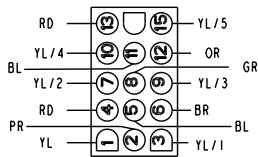
CAUTION

Label all wires prior to disconnection when servicing controls. Wiring errors can cause improper and dangerous operation. Verify proper operation after servicing.

Electrical Data

TDHM Wiring Diagram

15-PIN CONNECTOR	
1.	H/LI HIGH LIMIT INPUT
2.	PS1 PRESSURE SWITCH 1ST STAGE
3.	RL1 ROLL OUT SWITCH INPUT
4.	TH 24VAC
5.	TR 24V RETURN
6.	PS3 PRESSURE SWITCH 3RD STAGE
7.	PSO PRESSURE SWITCH OUTPUT
8.	GND GROUND
9.	IL1 INDUCER LIMIT INPUT
10.	HLO LIMIT SWITCH OUTPUT
11.	MVC VALVE COMMON
12.	PS2 PRESSURE SWITCH 2ND STAGE
13.	MVL VALVE (NOT USED)
14.	
15.	AX1 REVERSE FLOW SWITCH INPUT



IMPORTANT:
 INTEGRATED CONTROL IS POLARITY SENSITIVE.
 HOT LEG OF 120V POWER SUPPLY MUST BE CONNECTED
 TO THE BLACK POWER LEAD AS INDICATED ON WIRING DIAGRAM.

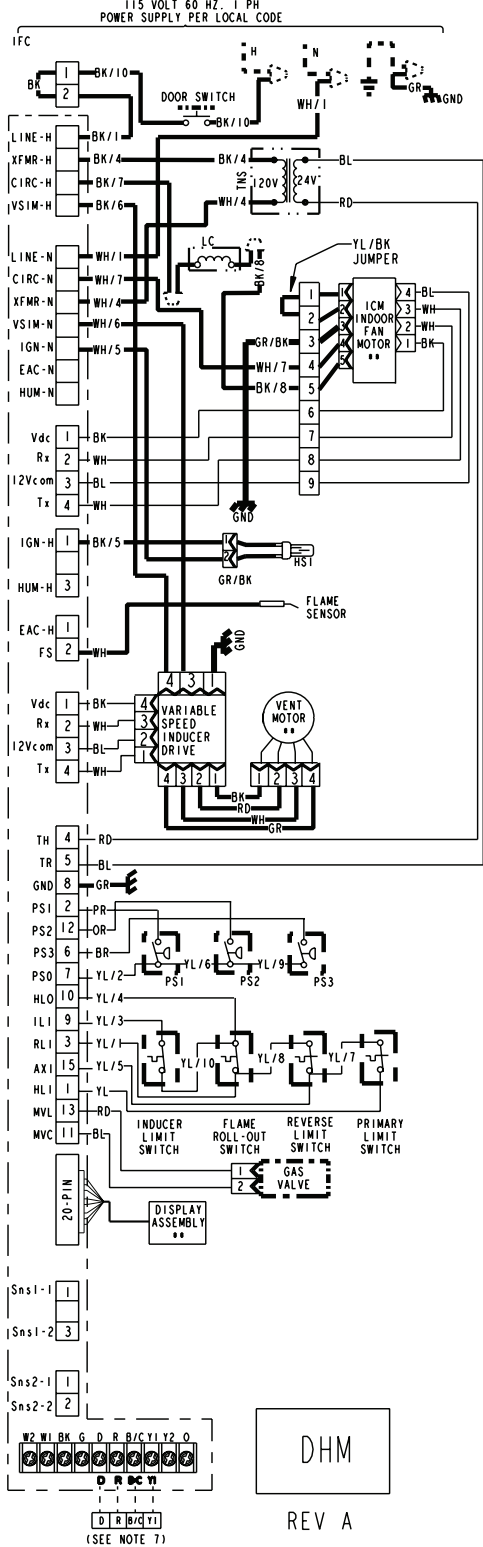
TABLE "A"	
MODELS	
*DHMB060ACV3V^^	*DHMB080ACV3V^^
*DHMC100ACV4V^^	*DHMD120ACV5V^^
*DHMB060BCV3V^^	*DHMD120BCV5V^^
* PREFIX MAY BE "A" OR "T" / ^^ SUFFIX MAY BE AA THROUGH ZZ	

⚠ CAUTION

Label all wires prior to disconnection when servicing controls. Wiring errors can cause improper and dangerous operation. Verify proper operation after servicing.

Electrical Data

TDHM Schematic Diagram



DIAGNOSTIC CODES

RED LED - FAULT Data - 1 Flash every 20 seconds	
2 FLASHES - SYSTEM LOCKOUT RETRIES OR RECYCLES EXCEEDED	6 FLASHES - 115 VOLT AC POWER REVERSED OR IGNITER FAULT
3 FLASHES - PRESSURE SWITCH FAULT	7 FLASHES - GAS VALVE CIRCUIT ERROR
4 FLASHES - OPEN LIMIT SWITCH	8 FLASHES - LOW FLAME SENSE SIGNAL
5 FLASHES - FLAME SENSED WHEN NO FLAME SHOULD BE PRESENT	9 FLASHES - OPEN INDUCER LIMIT
	10 FLASHES - COMMUNICATION FAULT
	CONTINUOUS ON - INTERNAL CONTROL FAILURE
GREEN LED - STATUS	
SLOW FLASH - NORMAL, NO CALL FOR HEAT	
FAST FLASH - NORMAL, CALL FOR HEAT PRESENT	
GREEN AND RED LED'S ON CONTINUOUS - INTERNAL CONTROL FAILURE	
GREEN AND RED LED'S OFF CONTINUOUS - FUSE OPEN	

WARNING

HAZARDOUS VOLTAGE
DISCONNECT ALL ELECTRICAL POWER INCLUDING REMOTE DISCONNECTS BEFORE SERVICING.
FAILURE TO DISCONNECT POWER BEFORE SERVICING CAN CAUSE SEVERE PERSONAL INJURY OR DEATH.

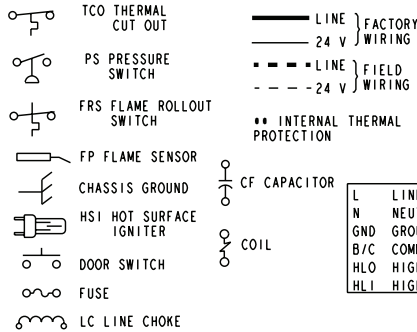
CAUTION

USE COPPER CONDUCTORS ONLY!
UNIT TERMINALS ARE NOT DESIGNED TO ACCEPT OTHER TYPES OF CONDUCTORS.
FAILURE TO DO SO MAY CAUSE DAMAGE TO THE EQUIPMENT.

INTEGRATED FURNACE CONTROL

REPLACE WITH PART CNT 07080 OR EQUIVALENT
ELECTRICAL RATING
INPUT: 25 V. A.C., 60 HZ.
XFMR SEC. CURRENT: 450 MA. + MV LOAD
MV OUTPUT: 1.5 A @ 24 V. A.C.
IND OUTPUT: 3 PHASE OUTPUT
IGN OUTPUT: 2.0 A @ 120V. A.C.
CIRC. BLOWER OUTPUT: 14.5 FLA.
25 LRA @ 120 VAC
HUMIDIFIER & AIR CLEANER
MAX. LOAD: 1.0 A @ 120 VAC

TIMINGS
PREPURGE: 0 SEC.; INTERPURGE: 60 SEC.
POST PURGE: 5 SECONDS
IGNITOR WARMUP: 20 SECONDS
IAP: 3; TFI: 5 SECONDS
RETRIES: 2; RECYCLES: 10
HEAT ON DELAY: 45 SECONDS
COOL ON DELAY: 0 SECONDS
AUTO RESTART: 60 MINUTES
AUTO RESTART PURGE: 15 SECONDS



BK BLACK	GR GREEN
WH WHITE	BR BROWN
YL YELLOW	RD RED
OR ORANGE	BL BLUE

WIRE COLOR
BK/1 NUMBER ID (IF ANY)

L LINE	TH 24 VAC (HOT)
N NEUTRAL	TR 24 VAC (COMMON)
GND GROUND	MV MAIN GAS VALVE
B/C COMMON	TNS TRANSFORMER
HLO HIGH LIMIT OUTPUT	ILI INDUCER LIMIT INPUT
HLI HIGH LIMIT INPUT	

NOTES:

- IF ANY OF THE ORIGINAL WIRING AS SUPPLIED WITH THIS FURNACE MUST BE REPLACED, IT MUST BE WITH WIRE HAVING A TEMPERATURE RATING OF AT LEAST 105 C.
- USER INTERFACE MUST BE INSTALLED FOR PROPER FURNACE INSTALLATION & SET-UP.
- CORRECT PERSONALITY MODULE IS REQUIRED FOR PROPER FURNACE OPERATION. PERSONALITY MODULE IS SPECIFIC TO EACH MODEL & SERIAL NUMBER, AND IS TO REMAIN WITHIN IT'S ORIGINAL UNIT.
- THESE LEADS PROVIDE 120V POWER CONNECTIONS FOR ELECTRONIC AIR CLEANER (EAC) AND HUMIDIFIER (HUM). MAX. LOAD: 1.0 AMPS EACH.
- USED FOR DHM/DXM
- ON POWER-UP, LAST FOUR FAULTS, IF ANY, WILL BE FLASHED ON RED LED. GREEN LED WILL BE SOLID ON DURING LAST FAULT RECOVERY.
- Y1 IS OUTPUT TO NON-COMMUNICATING OUTDOOR UNIT.
- LINE CHOKE (LC) NOT USED ON ALL MODELS.
- IN 24 VOLT MODE, AN OPTIONAL HUMIDISTAT CAN BE CONNECTED BETWEEN THE "R" AND "BK" TERMINALS. FACTORY INSTALLED "BK JUMPER" ON THE CIRCUIT BOARD MUST BE CUT. SEE FURNACE INSTALLERS GUIDE FOR DETAILS.
- THESE TWO MOTOR CONNECTIONS (E9 INDOOR FAN MOTOR AND E8 INDUCER MOTOR) ARE INTERCHANGEABLE.



D343630G05

CAUTION

Label all wires prior to disconnection when servicing controls. Wiring errors can cause improper and dangerous operation. Verify proper operation after servicing.

NOTE:

The maximum total cable length for the entire Comfort Control communicating system is 500 ft. 18 AWG. The maximum distance of any single cable from a transformer is 250 ft. 18 AWG.

NOTE:

When connecting an TFD whole house air cleaner with this furnace, order BAYACCECOMM101.

NOTE:

The B/C terminal will require three wires to be connected. Rather than connecting the three wires to the low voltage terminal strip, create a pigtail using a short length of thermostat wire and a wire nut (field supplied) to attach to the B/C terminal.

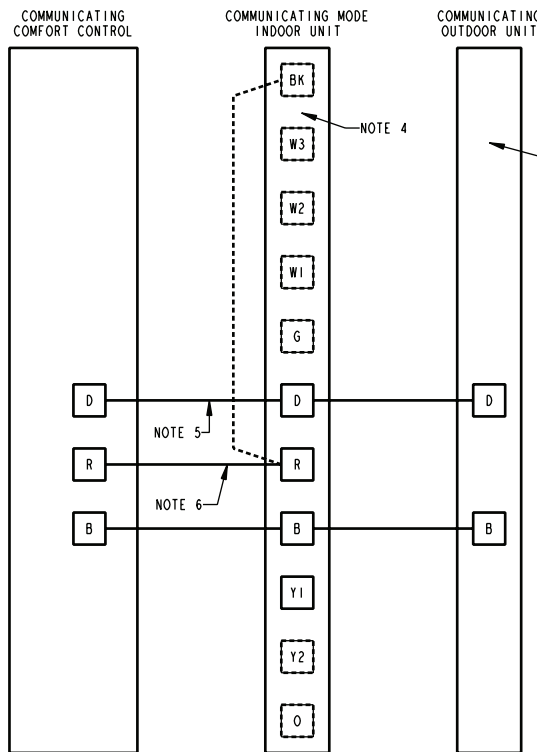
NOTE:

The BAYACCECOMM101 must be used when connecting an TFD whole house air cleaner to a furnace in communicating mode. For 24 volt mode, see the installation in the whole house air cleaner Installer's Guide.

NOTE:

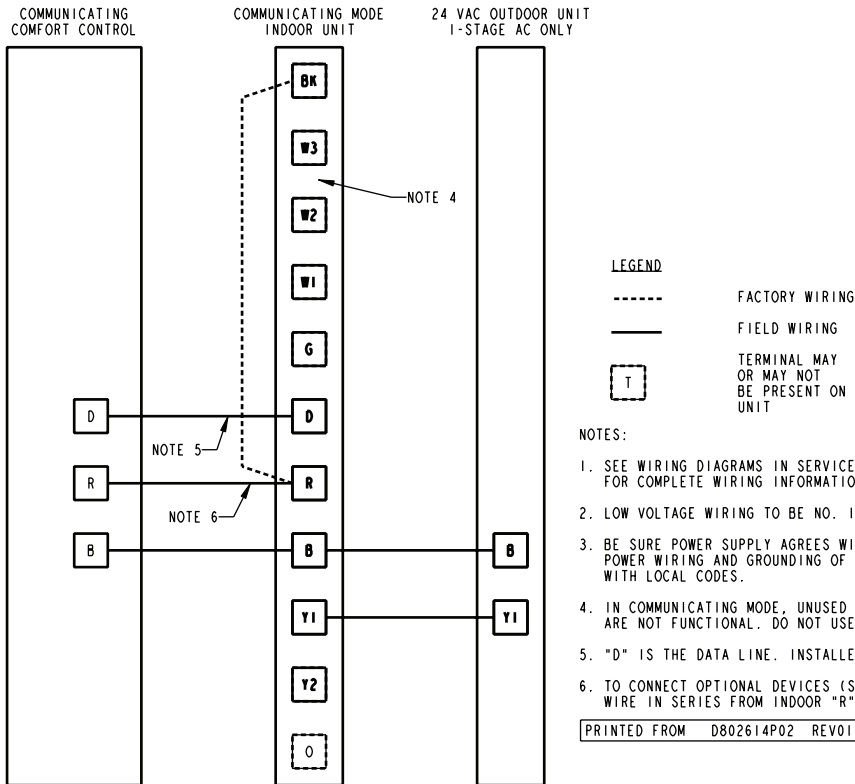
The BAYACCECOMM101 can be ordered through the sales channels.

Communicating Indoor Unit with Communicating Comfort Control and Communicating Outdoor Unit

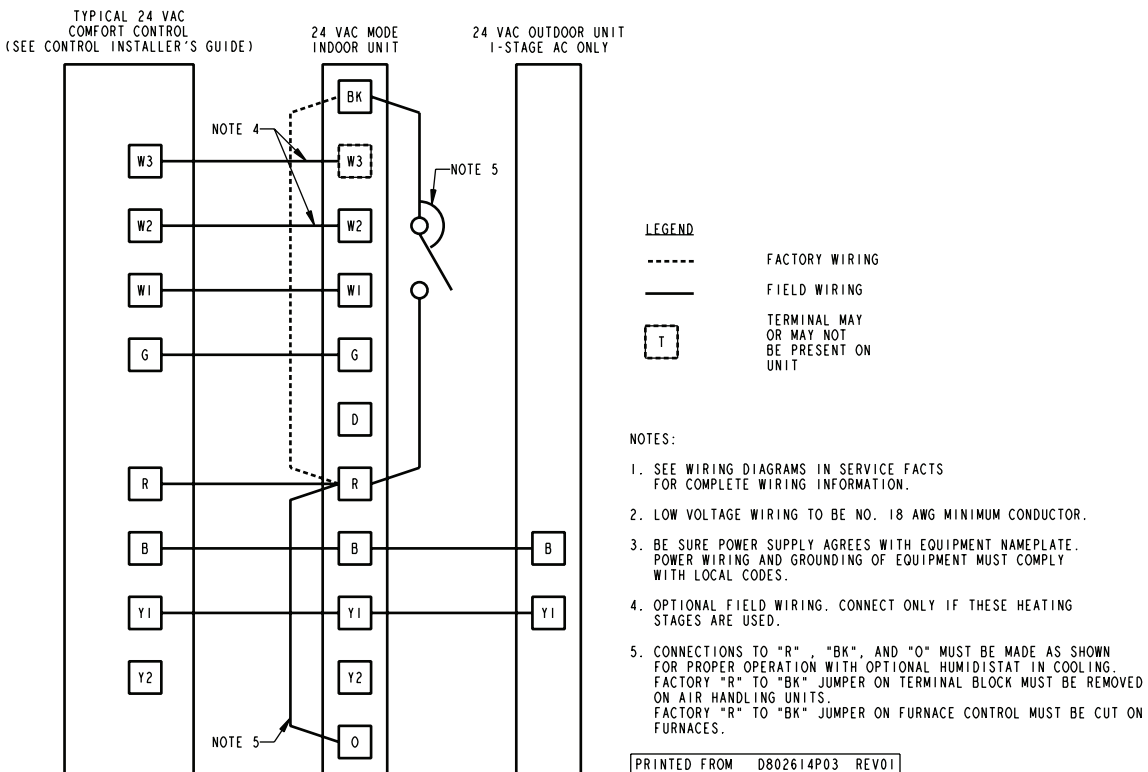


- LEGEND**
- FACTORY WIRING
 - FIELD WIRING
 - [T] TERMINAL MAY OR MAY NOT BE PRESENT ON UNIT
- NOTES:**
1. SEE WIRING DIAGRAMS IN SERVICE FACTS FOR COMPLETE WIRING INFORMATION.
 2. LOW VOLTAGE WIRING TO BE NO. 18 AWG MINIMUM CONDUCTOR.
 3. BE SURE POWER SUPPLY AGREES WITH EQUIPMENT NAMEPLATE. POWER WIRING AND GROUNDING OF EQUIPMENT MUST COMPLY WITH LOCAL CODES.
 4. IN COMMUNICATING MODE, UNUSED TERMINALS ARE NOT FUNCTIONAL. DO NOT USE.
 5. "D" IS THE DATA LINE. INSTALLER TO SELECT A WIRE COLOR.
 6. TO CONNECT OPTIONAL DEVICES (SUCH AS A FLOAT SWITCH) WIRE IN SERIES FROM INDOOR "R" TO COMFORT CONTROL "R".
 7. WHEN CONVERTING OUTDOOR UNIT TO 24 VAC MODE, USE 24 VAC HARNESS ACCESSORY (BAYACHP024*).
- PRINTED FROM D802614P01 REV01

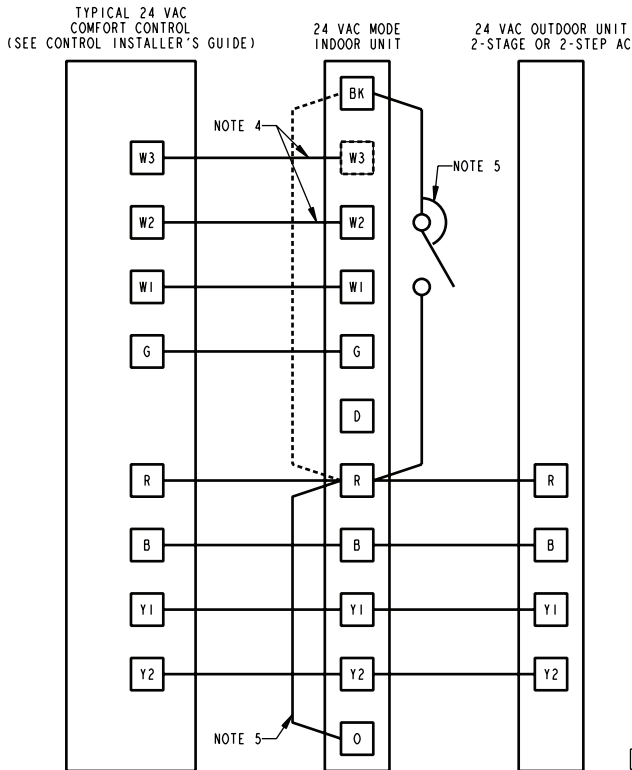
Communicating Indoor Unit with Communicating Comfort Control and 24VAC Single Stage Cooling



24 VAC Mode Indoor Unit with 24 VAC Comfort Control and 24VAC Single Stage Cooling



24 VAC Mode Indoor Unit with 24 VAC Comfort Control and 24VAC 2-Stage or 2-Step Cooling



LEGEND

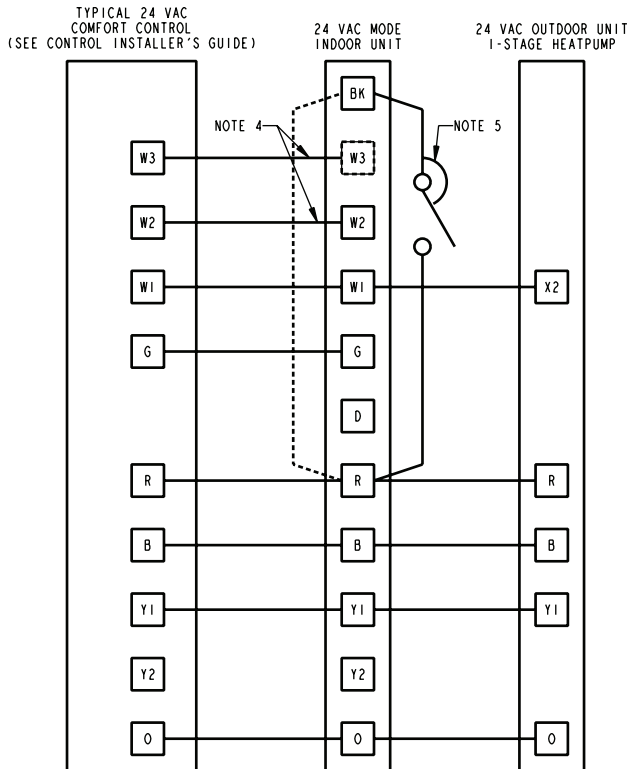
- FACTORY WIRING
- FIELD WIRING
- [T] TERMINAL MAY OR MAY NOT BE PRESENT ON UNIT

NOTES:

1. SEE WIRING DIAGRAMS IN SERVICE FACTS FOR COMPLETE WIRING INFORMATION.
2. LOW VOLTAGE WIRING TO BE NO. 18 AWG MINIMUM CONDUCTOR.
3. BE SURE POWER SUPPLY AGREES WITH EQUIPMENT NAMEPLATE. POWER WIRING AND GROUNDING OF EQUIPMENT MUST COMPLY WITH LOCAL CODES.
4. OPTIONAL FIELD WIRING. CONNECT ONLY IF THESE HEATING STAGES ARE USED.
5. CONNECTIONS TO "R", "BK", AND "O" MUST BE MADE AS SHOWN FOR PROPER OPERATION WITH OPTIONAL HUMIDISTAT IN COOLING. FACTORY "R" TO "BK" JUMPER ON TERMINAL BLOCK MUST BE REMOVED ON AIR HANDLING UNITS. FACTORY "R" TO "BK" JUMPER ON FURNACE CONTROL MUST BE CUT ON FURNACES.
6. SEE USER INTERFACE 24 VAC MODE SETUP MENU FOR 1ST STAGE CFM OPTIONS.
2-STAGE = 39-64%
2-STEP = 65-80%

PRINTED FROM D802614P04 REV01

24 VAC Mode Indoor Unit with 24 VAC Comfort Control and 24VAC Single Stage Heat Pump



LEGEND

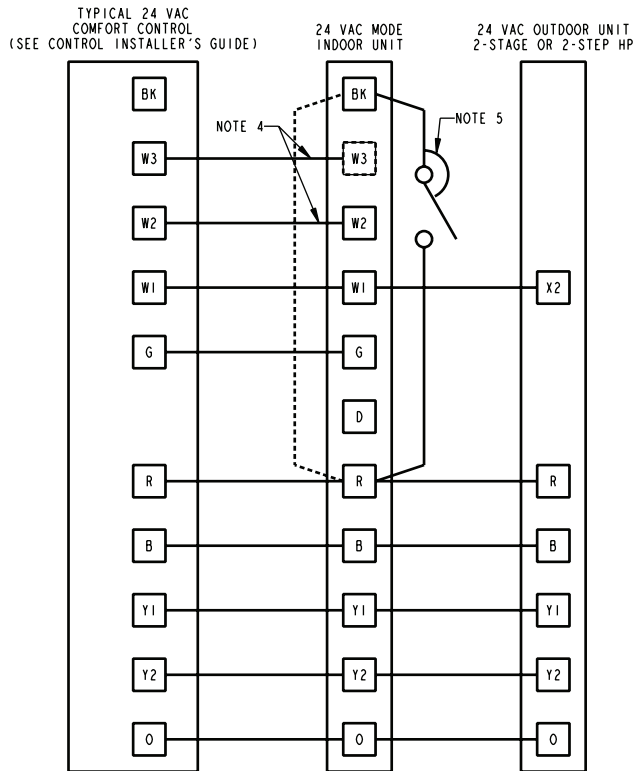
- FACTORY WIRING
- FIELD WIRING
- [T] TERMINAL MAY OR MAY NOT BE PRESENT ON UNIT

NOTES:

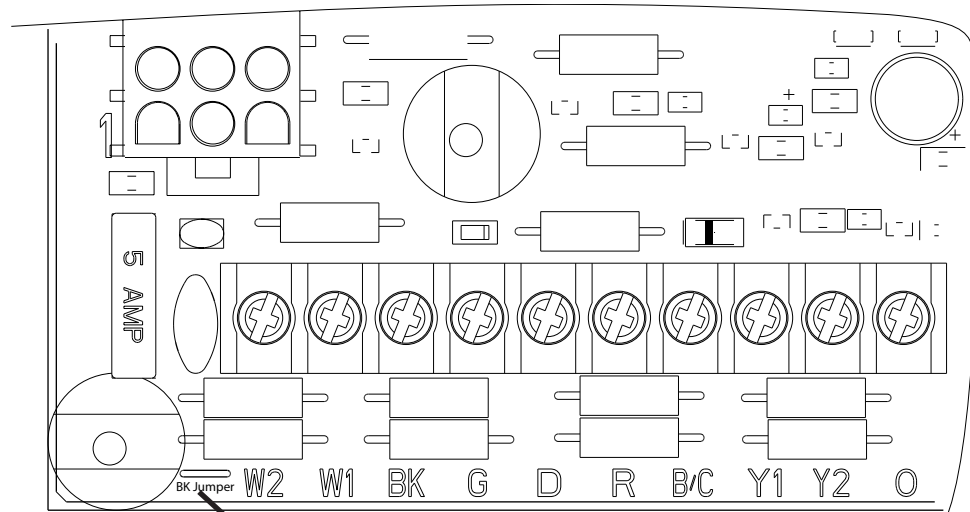
1. SEE WIRING DIAGRAMS IN SERVICE FACTS FOR COMPLETE WIRING INFORMATION.
2. LOW VOLTAGE WIRING TO BE NO. 18 AWG MINIMUM CONDUCTOR.
3. BE SURE POWER SUPPLY AGREES WITH EQUIPMENT NAMEPLATE. POWER WIRING AND GROUNDING OF EQUIPMENT MUST COMPLY WITH LOCAL CODES.
4. OPTIONAL FIELD WIRING. CONNECT ONLY IF THESE HEATING STAGES ARE USED.
5. CONNECTIONS TO "R", "BK", AND "O" MUST BE MADE AS SHOWN FOR PROPER OPERATION WITH OPTIONAL HUMIDISTAT IN COOLING. FACTORY "R" TO "BK" JUMPER ON TERMINAL BLOCK MUST BE REMOVED ON AIR HANDLING UNITS. FACTORY "R" TO "BK" JUMPER ON FURNACE CONTROL MUST BE CUT ON FURNACES.
6. ON FURNACE APPLICATIONS, COMFORT CONTROL MUST BE DUAL FUEL COMPATIBLE (SEE CONTROL INSTALLERS GUIDE) OR MUST USE TAYPLUS103.

PRINTED FROM D802614P05 REV01

24 VAC Mode Indoor Unit with 24 VAC Comfort Control and 24VAC 2-Stage or 2-Step Heat Pump



Humidistat Hookup – 24 V Mode ONLY



The factory installed jumper between "R" and "BK" on the circuit board must be cut if an optional humidistat is installed.

HUMIDISTAT HOOKUP – 24 V ONLY

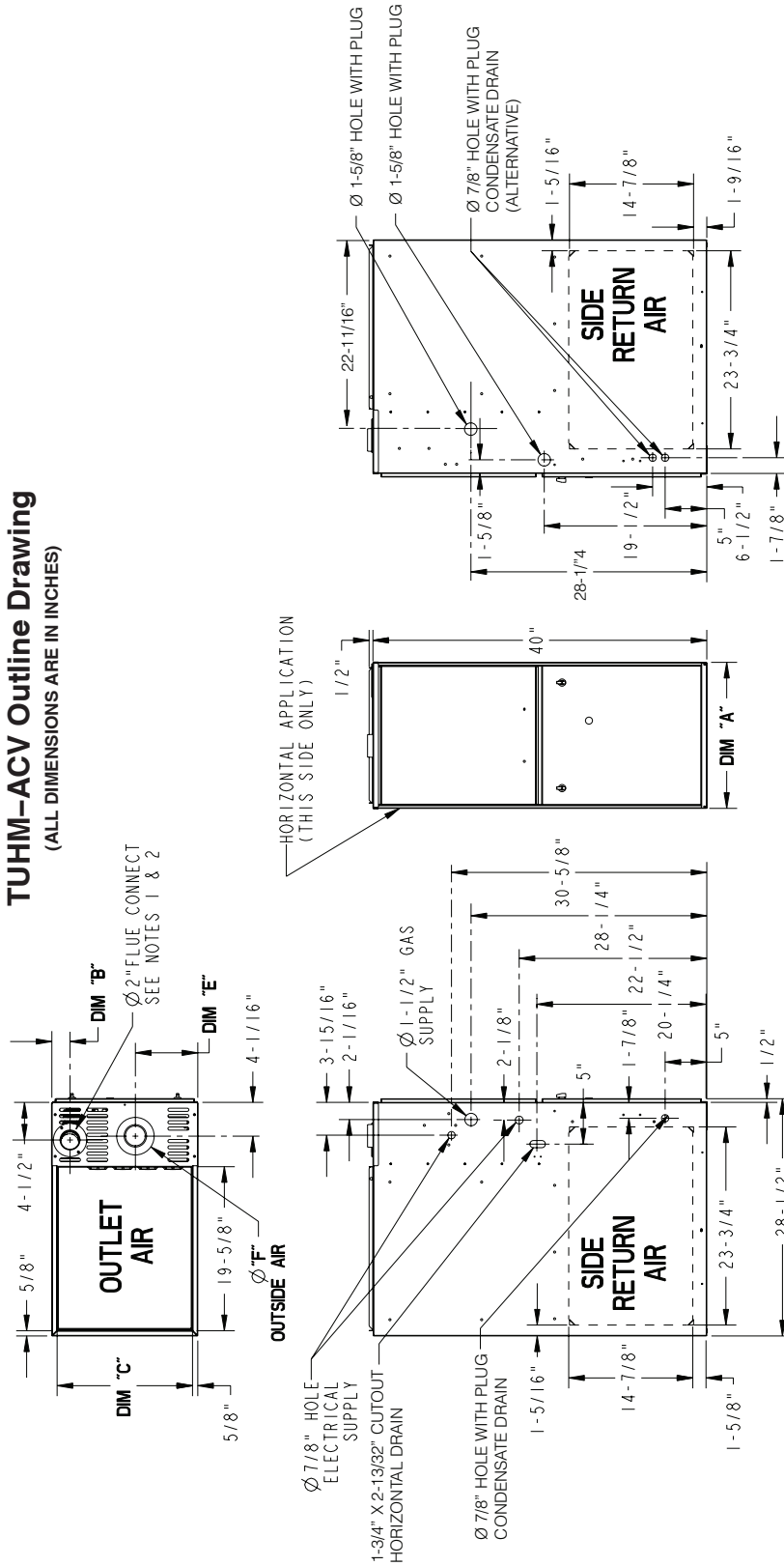
If an optional humidistat for humidity control in cooling is used, the factory installed "BK Jumper" must be cut. The BK Jumper must also be cut if a multi-zone control-

ler is connected to *CONT402 is installed and using the BK enabled feature.

See the 24VAC field wiring diagrams for mor information.

TUHM-ACV Outline Drawing

(ALL DIMENSIONS ARE IN INCHES)



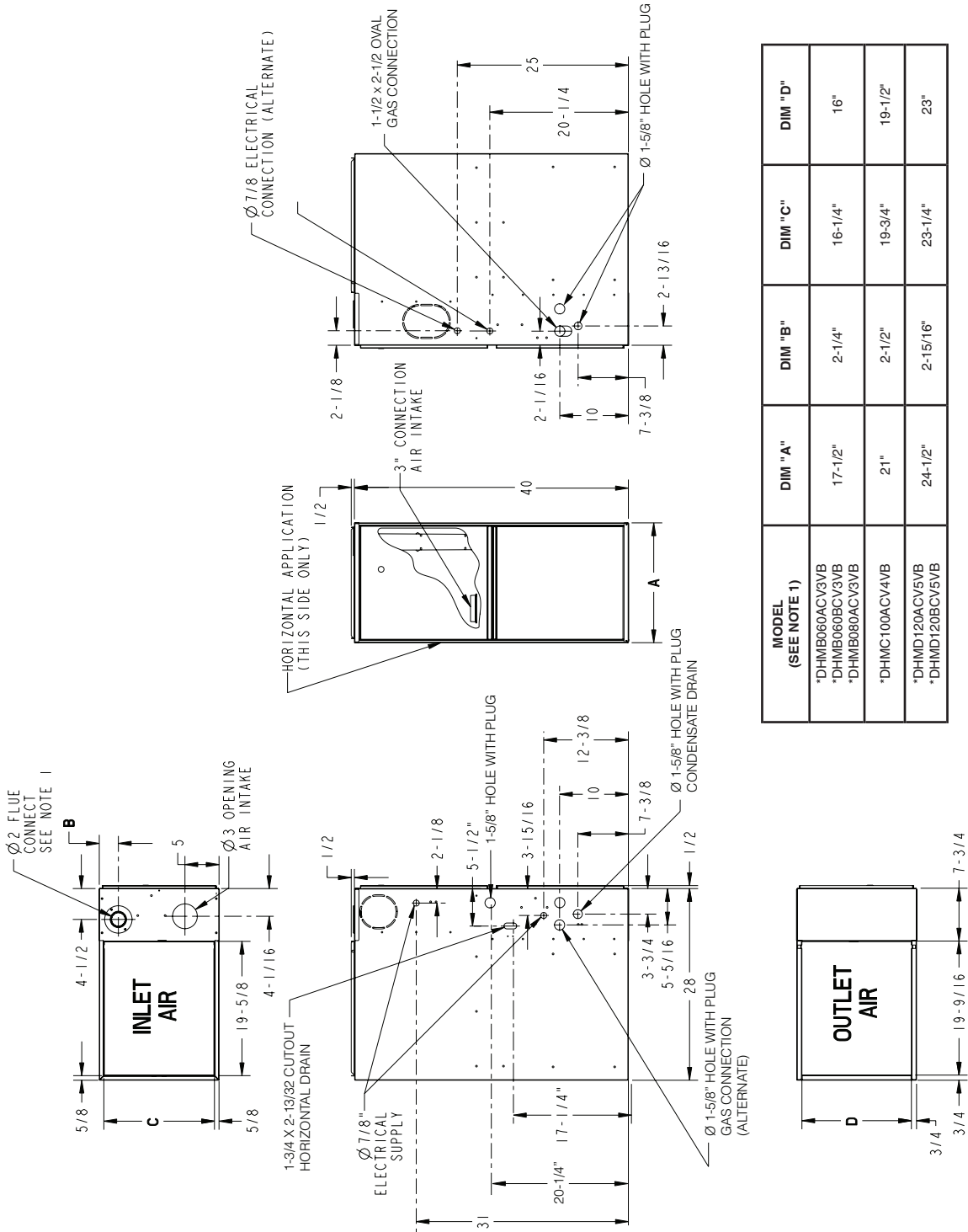
MINIMUM CLEARANCE TO COMBUSTIBLE MATERIALS	
UPFLOW	
SIDES	0 IN.
REAR	0 IN.
FRONT	3 IN.
TOP	1 IN.
FLUE	0 IN.
HORIZONTAL (FLUE DISCHARGE ON THE LEFT)	
ALCOHOL	
SIDES	0 IN.
LEFT	0 IN.
RIGHT	0 IN.
REAR	6 IN.
FRONT	18 IN.
TOP	1 IN.
FLUE	0 IN.
CLOSET	
SIDES	1 IN.
LEFT	1 IN.
RIGHT	1 IN.
REAR	3 IN.
FRONT	3 IN.
TOP	1 IN.
FLUE	0 IN.

MODEL (SEE NOTE 1)	DIM "A"	DIM "B"	DIM "C"	DIM "D"	DIM "E"	DIM "F"
*UHMB060ACV3VB	17-1/2"	2-1/4"	16-1/4"	16"	7-1/2"	2"
*UHMB080ACV3VB	21"	2-1/2"	19-3/4"	19-1/2"	9"	3"
*UHMC100AC4VB	24-1/2"	2-15/16"	23-1/4"	23"	10"	3"
*UHMD120AC5VB						

NOTES:
 1. DIAMETER OF VENT PIPE MAY BE LIMITED TO 2-1/2" OR 3" ON SOME MODELS AT DIFFERENT ALTITUDES. REFER TO THE VENT LENGTH TABLE FOR PROPER APPLICATION.

TDHM-ACV DOWNFLOW/HORIZONTAL OUTLINE DRAWING

(ALL DIMENSIONS ARE IN INCHES)



MINIMUM CLEARANCE TO COMBUSTIBLE MATERIALS	
DOWNFLOW	
SIDES	0 IN.
REAR	0 IN.
FRONT	3 IN.
TOP	1 IN.
FLUE	0 IN.
HORIZONTAL FLUE DISCHARGE ON THE LEFT	
ALCOVE	
SIDES	
RIGHT	0 IN.
LEFT	0 IN.
REAR	6 IN.
FRONT	18 IN.
TOP	1 IN.
FLUE	0 IN.
CLOSET	
SIDES	
RIGHT	1 IN.
LEFT	3 IN.
REAR	3 IN.
FRONT	1 IN.
TOP	1 IN.
FLUE	0 IN.

MODEL (SEE NOTE 1)	DIM "A"	DIM "B"	DIM "C"	DIM "D"
*DHMB060ACV3VB	17-1/2"	2-1/4"	16-1/4"	16"
*DHMB060BCV3VB	21"	2-1/2"	19-3/4"	19-1/2"
*DHMC100ACV4VB	24-1/2"	2-15/16"	23-1/4"	23"
*DHMD120ACV5VB				
*DHMD120BCV5VB				



Trane - by Trane Technologies (NYSE: TT), a global climate innovator - creates comfortable, energy efficient indoor environments for commercial and residential applications. For more information, please visit trane.com or tranetechnologies.com.



Trane has a policy of continuous data improvement and it reserves the right to change design and specifications without notice. We are committed to using environmentally conscious print practices.